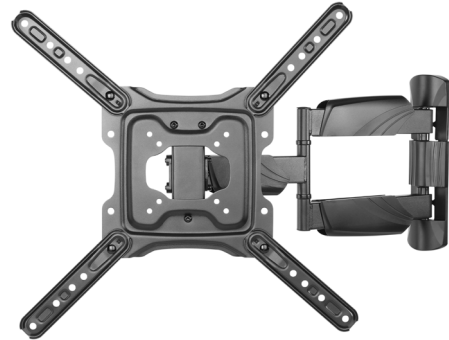


# 23"-55" display Full-motion wall mount

**DELTA**  
A NORDIC BRAND  
**CO**  
**OFFICE**



## PRODUCT DATA

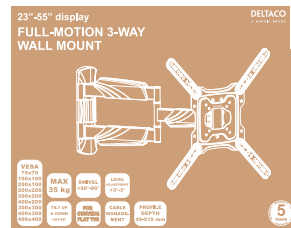
Compatible displays:	23"-55"
Max weight:	35 kg
VESA:	75x75, 100x100, 200x100, 200x200, 300x200, 300x300, 400x200, 400x300, 400x400
Profile depth:	49~515 mm
Product Category:	Full-motion Wall Mount
Pipe Size:	40x20x1.5mm (1.6"x0.79"x0.059")
Tilt Range:	+5°~-15°
Swivel Range:	+90°~-90°
Screen Level:	+ 3°~-3°
Material:	Steel, Plastic
Metal Sheet Thickness:	Wall Plate THK=2.5mm pickling sheet, VESA Panel THK=1.8mm cold-rolled sheet (Wall Plate THK=0.098" pickling sheet, VESA Panel THK=0.071" cold-rolled sheet)
Surface Finish:	Powder Coating
Color:	Fine Texture Black
Dimensions:	435x435x515mm (17.1"x17.1"x20.3")
Mounting Hole Pattern :	VESA Only
Strength Tested:	4 Times Approved
Installation:	Solid Wall, Single Stud
Panel Type:	Detachable Panel
Wall Plate Type:	Fixed Wall Plate
Fit Curved TV:	Yes
Cable Management:	Yes
Anti-theft:	No
Bubble Level:	No
Accessory Kit Package:	Normal/Ziplock Polybag, Compartment Polybag

## LOGISTICS DATA

Article number:	ARM-0257
Brand:	DELTA
EAN Code:	7333048042712
Country of origin:	China
Custom tariff number:	83024900
Master carton packing unit:	6
Master carton gross weight:	22 kg
Master carton dimensions:	37.5 x 28.5 x 40.5 cm
Package type:	Box
Package weight:	3.58 kg
Package dimensions:	36 x 27 x 6.3 cm

## PACKAGING

Package contents:	Wall mount, mounting kit for wall, mounting kit for display and manual
-------------------	--



-Image may differ from the actual package

## Drawing

