



EN - English
SV - Svenska
DA - Danske
NO - Norsk
FI - Suomi

PRECAUTIONS TO AVOID POSSIBLE EXPOSURE TO EXCESSIVE MICROWAVE ENERGY

- EN
1. Do not attempt to operate this oven with the door open since open-door operation can result in harmful exposure to microwave energy. It is important not to defeat or tamper with the safety interlocks.
 2. Do not place any object between the oven front face and the door or allow soil or cleaner residue to accumulate on sealing surfaces.
 3. Do not operate the oven if it is damaged. It is very important that the oven door close properly and that there is no damage to the
 - a) Door (including any dents),
 - b) Hinges and latches (broken or loosened),
 - c) Door seals and sealing surfaces.
 4. The oven should not be adjusted or repaired by anyone except qualified service personnel.

IMPORTANT SAFETY INSTRUCTIONS

When using electrical appliance basic safety precautions should be taken, including the following:

1. **WARNING!** To reduce the risk of burns, electric shock, fire, injury to persons or exposure to excessive microwave energy.
2. Read all instructions before using the appliance and keep for future reference.
3. Use this appliance only for its intended use as described in the manual. Do not use corrosive chemicals or vapors in this appliance. This type of oven is specifically designed to heat, cook or dry food. It is not designed for industrial or laboratory use.
4. Do not operate the oven when empty.
5. Do not operate this appliance if it has a damaged cord or plug, if it is not working properly, or if it has been damaged or dropped. If the supply cord is damaged, it must be replaced by the manufacturer or its service agent or a similarly qualified person in order to avoid a hazard.
6. **WARNING!** Only allow children to use the oven without supervision when adequate instructions have been given so that the child is able to use the oven in a safe way and understands the hazards of improper use.
7. To reduce the risk of fire in the oven cavity:
 - When heating food in plastic or paper container, check the oven frequently to the possibility of ignition.
 - Remove wire twist-ties from paper or plastic bags before placing bag in oven.
 - If smoke is observed, switch off or unplug the appliance and keep the door closed in order to stifle any flames.
 - Do not use the cavity for storage purposes. Do not leave paper products, cooking utensils, or food in the cavity when not in use.
 - The microwave oven is intended for heating food and beverages. Drying of clothing and heating of warming pads, slippers, sponges, damp cloth and similar may lead to risk of injury, ignition or fire.
8. **WARNING!** Liquid or other food must not be heated in sealed containers since they are liable to explode.
9. Microwave heating of beverage can result in delayed eruptive boiling; therefore, care has to be taken when handle the container.
10. Do not fry food in the oven. Hot oil can damage oven parts and utensils and even result in skin burns.
11. Eggs in their shell and whole hard-boiled eggs should not be heated in microwave ovens since they may explode even after microwave heating has ended.
12. Pierce foods with heavy skins such as potatoes, whole squashes, apples and chestnuts before cooking.

13. The contents of feeding bottles and baby jars should be stirred or shaken, and the temperature should be checked before serving in order to avoid burns.
14. Cooking utensils may become hot because of heat transferred from the heated food. Potholders may be needed to handle the utensil.
15. Utensils should be checked to ensure that they are suitable for use in microwave oven.
16. **WARNING!** It is hazardous for anyone other than a trained person to carry out any service or repair operation which involves the removal of any cover which gives protection against exposure to microwave energy.
17. This appliance is not intended for use by persons (including children) with reduced physical, sensory or mental capabilities, or lack of experience and knowledge, unless they have been given supervision or instruction concerning use of the appliance by a person responsible for their safety.
18. Children should be supervised to ensure that they do not play with the appliance.
19. This microwave oven is only used in freestanding.
20. **WARNING!** Do not install oven over a range cook top or another heat-producing appliance. If installed could be damaged and the warranty would be invalid.
21. The microwave oven shall not be placed in a cabinet.
22. The door or the outer surface may get hot when the appliance is operating.
23. **WARNING!** Accessible parts may become hot during use. Young children should be kept away.
24. During use the appliances becomes hot. Care should be taken to avoid Pressing heating elements inside the oven, for cooking ranged and ovens.
25. The temperature of accessible surfaces may be high when the appliance is operating.
26. Appliance is not to be used by children or persons with reduced physical, sensory or mental capabilities, or lack of experience and knowledge, unless they have been given supervision or instruction.
27. **WARNING!** If the door or door seals are damaged, the oven must not be operated until it has been repaired by a competent person.
28. The instructions shall state that appliances are not intended to be operated by means of an external timer or separate remote-control system.
29. The microwave oven is for household use only and not for commercial use.
30. Never remove the distance holder in the back or on the sides, as it ensures a minimum distance from the wall for air circulation.
31. Please secure the turntable before you move the appliance to avoid damages.
32. **CAUTION!** It is dangerous to repair or maintain the appliance by no other than a specialist because under these circumstances the cover has to be removed which assures protection against microwave radiation. This applies to changing the power cord or the lighting as well. Send the appliance in these cases to our service center.
33. The microwave oven is intended for defrosting, cooking and steaming of food only.
34. Use gloves if you remove any heated food.
35. **CAUTION!** Steam will escape, when opening lids or wrapping foil.
36. Children shall not play with the appliance. Cleaning and user maintenance shall not be made by children unless they are aged from 8 years and above and supervised.
37. If smoke is emitted, switch off or unplug the appliance and keep the door closed in order to stifle any flames.

Specifications

Item:	CHMW035	Outside Dimensions:	262mm(H)×452mm(W)×330mm(D)
Power Consumption:	230-240V/50Hz, 1200W(microwave)	Oven Cavity:	198mm(H)×315mm(W)×297mm(D)
Output:	700W	Net Weight:	Approx.10.8kg
Operation Frequency:	2450MHz		
Oven Capacity:	20L		

Installation Guide

1. Make sure that all the packing materials are removed from the inside of the door.
2. **WARNING!** Check the oven for any damage, such as misaligned or bent door, damaged door seals and sealing surface, broken or loose door hinges and latches and dents inside the cavity or on the door. If there is any damage, do not operate the oven and contact qualified service personnel.
3. This microwave oven must be placed on a flat, stable surface to hold its weight and the heaviest food likely to be cooked in the oven.
4. Do not place the oven where heat, moisture, or high humidity are generated, or near combustible materials.
5. For correct operation, the oven must have sufficient airflow. Allow 20cm of space above the oven, 10cm at back and 5cm at both sides. Do not cover or block any openings on the appliance. Do not remove feet.
6. Do not operate the oven without glass tray, roller support, and shaft in their proper positions.
7. Make sure that the power supply cord is undamaged and does not run under the oven or over any hot or sharp surface.
8. The socket must be readily accessible so that it can be easily unplugged in an emergency.
9. Do not use the oven outdoors.

Grounding instructions

This appliance must be grounded. This oven is equipped with a cord having a grounding wire with a grounding plug. It must be plugged into a wall receptacle that is properly installed and grounded. In the event of an electrical short circuit, grounding reduces risk of electric shock by providing an escape wire for the electric current. It is recommended that a separate circuit serving only the oven be provided. Using a high voltage is dangerous and may result in a fire or other accident causing oven damage.

WARNING! Improper use of the grounding plug can result in a risk of electric shock.

The wires in this cable main are colored in accordance with the following code:

Green and Yellow: EARTH
Blue: NEUTRAL
Brown: LIVE

Radio Interference

Operation of the microwave oven can cause interference to your radio, TV, or similar equipment. When there is interference, it may be reduced or eliminated by taking the following measures:

1. Clean door and sealing surface of the oven.
2. Reorient the receiving antenna of radio or television.
3. Relocate the microwave oven with respect to the receiver.
4. Move the microwave oven away from the receiver.
5. Plug the microwave oven into a different outlet so that microwave oven and receiver are on different branch circuits.

Trouble Shooting

Before asking for service, please check below:

- Check to ensure the oven is plugged in securely. If not, remove the plug from the outlet, wait 10 seconds, and plug it in again securely.

- Check for a blown circuit fuse or a tripped main circuit breaker. If these seem to be operating properly, test the outlet with another appliance.
- Check to ensure the control panel is programmed correctly and the timer is set.
- Check to ensure the door is securely closed, engaging the door lock system. If the door is not properly closed, the microwave energy will not flow inside.

Note: If none of the above rectifies the situation, then contact a qualified technician. do not try to adjust or repair the oven yourself.

Cooking Techniques

- Arrange food carefully. Place thickest areas towards outside of dish.
- Watch cooking time. Cook for the shortest amount of time indicated and add more as needed. Food severely overcooked can smoke or ignite.
- Cover foods while cooking. Covers prevent spattering and help foods to cook evenly.
- Turn foods over once during microwave cooking to speed cooking of such foods as chicken and hamburgers. Large items like roasts must be turned over at least once.
- Rearrange foods such as meatballs halfway through cooking both from top to bottom and from the center of the dish to the outside.

Cooking Utensils Guide

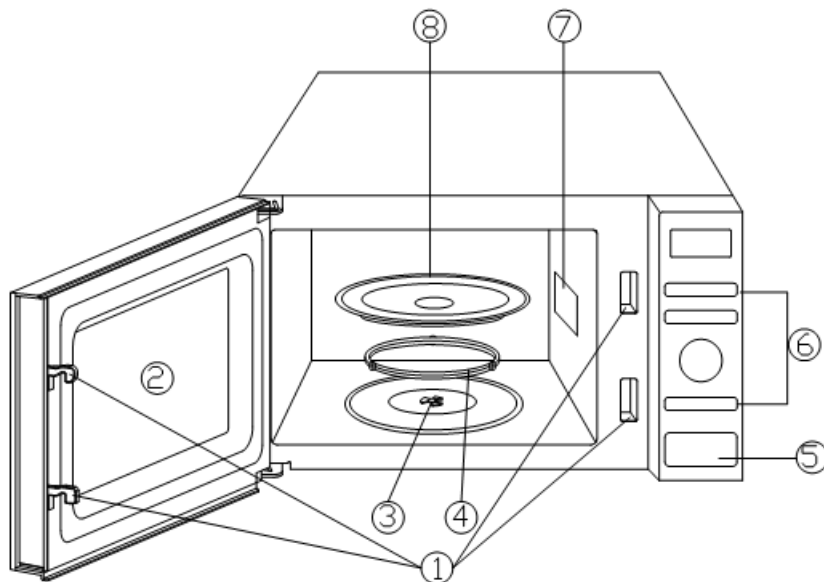
1. Microwave cannot penetrate metal. Only use utensils that are suitable for use in microwave ovens. Metallic containers for food and beverages are not allowed during microwave cooking. This requirement is not applicable if the manufacturer specifies size and shape of metallic containers suitable for microwave cooking.
2. Microwave cannot penetrate metal, so metal utensils or dishes with metallic trim should not be used.
3. Do not use recycled paper products when microwave cooking, as they may contain small metal fragments which may cause sparks and/or fires.
4. Round /oval dishes rather than square/oblong ones are recommended, as food in corners tends to overcook.
5. Narrow strips of aluminum foil may be used to prevent overcooking of exposed areas. But be careful don't use too much and keep a distance of 1 inch (2.54cm) between foil and cavity.

The list below is a general guide to help you select the correct utensils:

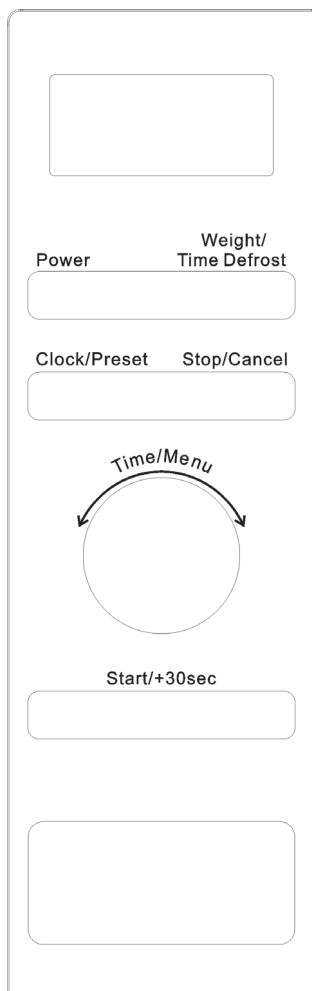
Cookware	Microwave Cooking
Heat-Resistant Glass	Yes
Non Heat-Resistant Glass	No
Heat-Resistant Ceramics	Yes
Microwave-Safe Plastic Dish	Yes
Kitchen Paper	Yes
Metal Tray	No
Metal Rack	No
Aluminum Foil & Foil Containers	No

Product Diagram

- | | |
|----------------------------|--|
| 1. Door Safety Lock System | 6. Control Panel |
| 2. Oven Window | 7. Wave Guide (do not remove the mica plate covering the wave guide) |
| 3. Shaft | 8. Glass Tray |
| 4. Roller Ring | |
| 5. Door Release Button | |



Control Panel



DISPLAY

- Cooking time, power, indicators and clock time are displayed.

POWER

- Use to set power level. To check power level during time cooking, touch POWER pad.

WEIGHT/TIME DEFROST

- Use to set time defrost program.
- Use to set defrost by weight program.
- Use to specify food weight or number of servings.

CLOCK/PRESET

- Use to set the time of clock.
- Use to set the oven to start-up at a later time.

STOP/CANCEL

- Press to cancel setting or reset the oven before setting a cooking program.
- Press once to temporarily stop cooking, or twice to cancel cooking altogether.
- It is also used for setting child lock.


TIME/MENU

- Rotate the dial to input popular food menu, clock time, cooking time.

START/+30SEC

- Touch to start the cooking or defrosting programs. Simply press it a number of times to set cooking time and cook immediately at full power level.

Operation Instructions

- When the oven first plugged in, beep will sound and the display will show  , "1:01".
- In the process of cooking set, broke about 25 seconds the oven will return to standby mode.
- During cooking, if press STOP/CANCEL pad once, the program will be paused, then press START/+30SEC pad to resume, but if press STOP/CANCEL pad twice, the program will be canceled.
- After ending cooking, the screen will display End with sound every two minutes until user press STOP/CANCEL pad or open the door.

Setting the Clock

This is a 12- or 24-hour clock. You can choose to set the clock time in 12- or 24-hour cycle by pressing the CLOCK/PRESET button in standby mode.

1. In standby mode, press CLOCK/PRESET once or twice to select 12- or 24-hour clock.
2. Turn TIME/MENU until the correct hour is displayed.
3. Press CLOCK/PRESET button.
4. Turn TIME/MENU until the correct minute is displayed.
5. Press CLOCK/PRESET to confirm.

NOTE: During cooking you can check the current time by touching CLOCK/PRESET.

Express Cooking

Use this feature to program the oven to microwave food at 100% power conveniently. In standby mode, press START/+30SEC several times to set the cooking time, the oven starts immediately at full power. The longest cooking time is 10 minutes.

Microwave Cooking

1. Press POWER button repeatedly to select power level.
2. Turn TIME/MENU clockwise to enter cooking time. The longest cooking time is 95 minutes.
3. Press START/+30SEC button to confirm.

Select power level by pressing the POWER button:

NOTE: During cooking you can check the current cooking power level by pressing POWER pad.

Press POWER Button	Cooking Power (Display)
once	100% (100)
twice	80% (80)
3 times	60% (60)
4 times	40% (40)
5 times	20% (20)
6 times	0% (00)

Weight Defrost

The defrosting time and power level are automatically set once the food weight is programmed. The frozen food weight ranges from 100g to 1800g.

1. Press WEIGHT/TIME DEFROST button once.
2. Turn TIME/MENU clockwise to select weight of food.
3. Press START/+30SEC button to confirm.

NOTE: During defrosting program, the system will pause to remind user to turn food over, and then press START/+30SEC to resume the defrosting.

Time Defrost

1. In standby mode, press WEIGHT/TIME DEFROST button twice.
2. Turn TIME/MENU to enter cooking time. The longest time is 95 minutes.
3. Press START/+30SEC button to confirm.

NOTE: During defrosting program, the system will pause and sound beeps to remind user to turn food over, and then press START/+30SEC to resume the defrosting.

Multi-stage Cooking

Your oven can be programmed for up to 2 automatic cooking sequences. Suppose you want to set the following cooking program:

Microwave-cooking - Microwave-cooking (with lower power level)

1. Set the first stage cooking program. Do not touch START/+30SEC pad.
2. Set the second stage cooking program.
3. Press START/+30SEC pad to confirm.

NOTE: Express cooking, time defrost, weight defrost and auto cook menus can't be set in multi-stage cooking.

EN

Preset

This function allows the oven to start in a later time.

1. Set a cooking program (except express cooking, time defrost, and weight defrost).
2. Press CLOCK/PRESET pad once.
3. Turn the TIME/MENU to set the hour digits.
4. Press CLOCK/PRESET pad.
5. Turn the TIME/MENU to set the minute digits.
6. Press CLOCK/PRESET pad.

NOTE: You can check the preset time during cooking by pressing CLOCK/PRESET pad once. Time countdown can be seen in display for 5 seconds, and then press STOP/CANCEL pad within 5 seconds to cancel the program.

Setting Child Lock

The child lock prevents unsupervised operation by children.

1. To set, in standby mode, press and hold STOP/CANCEL for 3 seconds. then a beep will sound, the oven will auto enter child lock mode and the lock indicator light will turn on. In the lock state, all buttons are disabled.
2. To cancel, press and hold STOP/CANCEL for 3 seconds. then a beep will sound and the indicator light will come off.

Auto Cook

For food or the following cooking mode, it is not necessary to program the duration and the cooking power. It is sufficient to indicate the type of food that you wish to cook as well as the weight or shares of this food.

1. In standby mode, turn TIME/MENU anti-clockwise to select the auto-menu.
2. Press WEIGHT/TIME DEFROST button repeatedly to indicate the food weight.
3. Press START/+30SEC button to confirm.

Auto cook menus:

CODE	FOOD	NOTE
1	MILK/COFFEE (200ml/cup)	For MILK/COFFEE and POTATOES, the display will show number of servings instead of weight.
2	POTATOES (230g/share)	The result of auto cooking depends on factors such as fluctuation of voltage, the shape and size of food, your personal preference as to the doneness of certain foods and even how well you happen to place food in the oven. If you find the result at any rate not quite satisfactory, please adjust the cooking time a little bit accordingly.
3	AUTO REHEAT (g)	
4	FISH (g)	
5	POPCORN (99g)	
6	PIZZA (g)	

Cleaning and Care

1. Turn off the oven and unplug the power cord from the wall when cleaning.
2. Keep the inside of the oven clean. When food splatters or spilled liquids adhere to oven walls, wipe with a damp cloth. Mild detergents may be used if the oven gets very dirty. Avoid using spray or other harsh cleaners. They may stain, streak or dull the door surface.
3. The outside of the oven should be cleaned with a damp cloth. To prevent damage to the operating parts inside the oven, water should not be allowed to seep into the ventilation openings.
4. Wipe the door and window on both sides, the door seals and adjacent parts frequently with a damp cloth to remove any spills or splatters. Do not use abrasive cleaner.
5. A steam cleaner is not be used.
6. Do not allow the control panel to become wet. Clean with a soft, damp cloth. When cleaning the control panel, leave oven door open to prevent oven from accidentally turning on.
7. If steam accumulates inside or around the outside of the oven door, wipe with a soft cloth. This may occur when the microwave oven is operated under high humidity condition. And it is normal.
8. It is occasionally necessary to remove the glass tray for cleaning. Wash the tray in warm sudsy water or in a dishwasher.
9. The roller ring and oven floor should be cleaned regularly to avoid excessive noise. Simply wipe the bottom surface of the oven with mild detergent. The roller ring may be washed in mild, soapy water or in a dishwasher. When removing the roller ring, be sure to replace it in the proper position.
11. If the light bulb burns out, please contact customer service to have it replaced.
12. The oven should be cleaned regularly, and any food deposits should be removed. Failure to maintain the oven in a clean condition could lead to deterioration of surface that could adversely affect the life of the unit and could possibly result in a hazardous situation.
13. Please do not dispose of this appliance into the domestic rubbish bin; it should be disposed to the disposal center provided by the municipalities.

EN

Warranty

Champion Nordic guarantees that this product is free from manufacturing defects in terms of materials and workmanship during a period of 2 years in Sweden, Norway, Denmark and Finland. This warranty period begins on the day the product is purchased or delivered. Champion Nordic has no obligation to repair or replace products that are not accompanied by a valid proof of purchase. This warranty applies only to products purchased and used for home use and does not cover damage resulting from abuse, failure to comply with the instructions from Champion Nordic, cases in which the product has been modified or subjected to unauthorized repair, improper packaging on the part of the owner, normal wear and tear, or improper handling on the part of a transport company.

Correct Disposal of this product

This marking indicates that this product should not be disposed with other household wastes throughout the EU. To prevent possible harm to the environment or human health from uncontrolled waste disposal, recycle it responsibly to promote the sustainable reuse of material resources.



 **CHAMPION**

Champion ®
Makadamgatan 14 | 254 64 Helsingborg | Sweden
info@champion.se



SÄKERHETSFÖRESKRIFTER FÖR ATT UNDVIKA EXPONERING FÖR MIKROVÅGSSTRÅLNING

- SV
1. Använd inte ugnen med luckan öppen då detta kan orsaka skadlig exponering för mikrovågsstrålning. Koppla aldrig förbi eller modifiera säkerhetssystemet.
 2. Placera inga föremål mellan ugnens framsida och luckan. Damm och rester från rengöringsmedel får inte finnas på tätningytorna.
 3. Använd inte ugnen om den är skadad. Det är mycket viktigt att luckan kan stängas ordentligt och att det inte finns några skador på:
 - a) luckan (inklusive eventuella deformationer),
 - b) gångjärn och spärrar (trasiga eller lösa),
 - c) tätningen kring luckan och tätningssytor.
 4. Ugnen får bara justeras eller repareras av kvalificerad servicepersonal.

VIKTIGA SÄKERHETSFÖRESKRIFTER

När elektriska apparater används ska grundläggande säkerhetsföreskrifter följas, inkl. följande:

1. **WARNING!** Följ alltid nedanstående anvisningar för att minska risken för brännskador, elektriska stötar, brand, personskada eller exponering för mikrovågsstrålning.
2. Läs igenom alla anvisningar noggrant före användning och behåll bruksanvisningen för framtida behov.
3. Apparaten får endast användas på avsett sätt och i enlighet med denna bruksanvisning. Använd inte frätande kemikalier eller ångor i apparaten. Den här typen av ugn är avsedd för att värma, tillaga eller torka livsmedel. Den är inte avsedd för industriell användning eller för användning i laboratorier.
4. Ugnen får inte användas när den är tom.
5. Använd inte apparaten om sladden eller elkontakten är skadad, om apparaten inte fungerar normalt eller om den har skadats eller tappats. Om sladden är skadad måste den ersättas av tillverkaren, dess serviceombud eller annan kvalificerad personal för att undvika fara.
6. **WARNING!** Barn får inte använda apparaten utan övervakning om de inte fått anvisningar om hur barnet ska använda apparaten på ett säkert sätt och förstår riskerna som kan uppstå vid felaktig användning.
7. För att minska risken för brand i ugnen:
 - Kontrollera ugnen ofta när du värmer livsmedel i förpackningar av plast eller papper, eftersom de kan fatta eld.
 - Ta bort påsförslutare från pappers- och plastpåsar innan de placeras i ugnen.
 - Stäng av apparaten eller dra ut stickproppen om det börjar ryka. Låt luckan vara stängd för att kväva eventuella lågor.
 - Använd inte ugnen som förvaringsutrymme. Låt inte papper, kokkärl eller livsmedel ligga kvar i ugnen när den inte används.
 - Mikrovågsugnen är avsedd för att värma mat och dryck. Torkning av klädesplagg och uppvärmning av värmedynor, tofflor, svampar, fuktiga trasor och liknande kan leda till personskada eller brand.
8. **WARNING!** Vätskor och livsmedel får inte värmas i täta förpackningar, eftersom de kan explodera. Vätska som värmts i mikrovågsugnen kan expandera kraftigt efter att den tagits ut ur ugnen. Hantera vätskebehållare försiktigt
9. Friter inte livsmedel i ugnen. Het olja kan skada ugnen och kan ge brännskador.
10. Ägg med skal och hårdkokta ägg ska inte värmas i mikrovågsugnen eftersom de kan explodera även efter uppvärmningen har avslutats.
11. Stick hål på livsmedel med tjockt skal, som potatis, hel squash, äpplen och kastanjer, innan de tillagas i mikrovågsugnen.

12. Innehållet i nappflaskor och barnmatsburkar ska röras om eller skakas före servering. Kontrollera temperaturen för att undvika brännskador.
13. Kokkärlen kan bli varma när värme överförs från den uppvärmda maten. Grytlappar kan behövas vid hantering av kärlet.
14. Kontrollera att kärlen är avsedda att användas i mikrovågsugn.
15. **WARNING!** Service eller reparation som innefattar borttagning av hölje som skyddar mot mikrovågsstrålning kan orsaka skador och får endast utföras av utbildad personal.
16. Denna apparat är inte avsedd att användas av personer (inklusive barn) med nedsatt fysisk, sensorisk eller mental förmåga, eller brist på erfarenhet och kunskap, såvida de inte har fått tillsyn eller instruktioner om användning av apparaten av en person som ansvarar för deras säkerhet.
17. Barn måste övervakas så att de inte leker med apparaten.
18. Mikrovågsugnen ska endast användas som fristående.
19. **WARNING!** Installera inte ugnen ovanför en spis eller annan värmeproducerande apparat då det kan leda till att ugnen skadas och garantin upphör att gälla.
20. Mikrovågsugnen ska inte placeras i ett skåp.
21. Luckan och utsidan kan bli varm när apparaten är i drift.
22. **WARNING!** Åtkomliga delar kan bli varma vid användning. Barn ska hållas utom räckhåll.
23. Apparaten blir varm under användning. Undvik att vidröra värmeelementen i ugnen.
24. Temperaturen på åtkomliga delar kan vara hög när apparaten är i drift.
25. Apparaten ska inte användas av barn eller personer med nedsatt fysisk, sensorisk eller mental förmåga, eller brist på erfarenhet och kunskap, om inte de har fått tillsyn eller instruktioner.
26. **WARNING!** Om luckan eller tätningen kring luckan är skadad ska inte ugnen användas förrän den reparerats av kvalificerad personal.
27. Apparaten ska inte drivas med en extern timer eller ett separat fjärrkontrollsystem.
28. Mikrovågsugnen är endast avsedd för hushållsbruk och inte för kommersiellt bruk.
29. Ta aldrig bort distanshållaren på baksidan eller sidorna då den säkerställer minsta avstånd från väggen för luftcirkulation.
30. Ta bort glasskivan och rotationsringen innan du flyttar apparaten för att undvika skador.
31. **WARNING!** Service eller reparation som innefattar borttagning av hölje som skyddar mot mikrovågsstrålning kan orsaka skador och får endast utföras av utbildad personal. Detta gäller även byte av nätsladd eller lampor då apparaten ska lämnas till vårt servicecenter.
32. Mikrovågsugnen ska endast användas för upptining, tillagning och ångning av livsmedel.
33. Använd ugnsvantar vid hantering av uppvärmda livsmedel.
34. **WARNING!** Akta för ånga som släpps ut när man öppnar lock eller plastfolie.
35. Barn får inte leka med apparaten.
36. Rengöring och underhåll av användaren ska inte göras av barn såvida de inte är äldre än 8 år och övervakas.
37. Stäng av apparaten eller dra ut stickproppen om det börjar ryka. Låt luckan vara stängd för att kväva eventuella lågor.

Specifikationer

Produkt:	CHMW035	Yttermått:	262mm(H)×452mm(W)×330mm(D)
Strömförbrukning:	230-240V/50Hz, 1200W(mikrovågor)	Mått på ugnsutrymme:	198mm(H)×315mm(W)×297mm(D)
Utgående effekt:	700W	Vikt:	Ca.10.8kg
Driftfrekvens:	2450MHz		
Ugnsvolym:	20L		

Installationsguide

1. Kontrollera att allt emballage innanför luckan har tagits bort.
2. **VARNING!** Kontrollera ugnen för eventuella skador så som deformerad eller felinriktad lucka, skadad tätning kring luckan och tätningssytor, skadade eller lösa gångjärn och spärrar samt hack eller skador inne i ugnen. Vid eventuell skada, använd inte ugnen och kontakta kvalificerad servicepersonal.
3. Apparaten ska placeras på plan och stadig yta som kan bära tyngden av apparaten och de livsmedel som ska tillagas.
4. Placera inte apparaten så att den utsätts för värme, fukt eller hög luftfuktighet. Den ska inte heller placeras nära brännbart material.
5. Apparaten måste ha tillräckligt luftflöde för att fungera korrekt. Placera apparaten så att det finns 20 cm fritt utrymme ovanför, 10 cm bakom och 5 cm på vardera sidan. Apparatus öppningar får inte blockeras. Ta inte bort fötterna från apparaten.
6. Använd inte ugnen utan glasskivan eller om stödrullarna och axeln inte är i rätt läge.
7. Kontrollera att sladden inte är skadad och att den inte ligger under apparaten eller på varma ytor eller skarpa kanter.
8. Elkontakten måste vara lättillgänglig så att den lätt kan dras ut i nödsituation.
9. Använd inte apparaten utomhus.

Jordanslutning

Apparaten måste vara jordad. Ugnen är utrustad med en sladd med jordledare och godkänd jordad elkontakt. Elkontakten ska anslutas till ett korrekt installerat jordat eluttag. Jordning minskar risken för elektriska stötar genom att avleda strömmen vid eventuell kortslutning. Apparaten bör anslutas till en separat krets. Det är farligt att ansluta apparaten till för hög spänning och kan leda till brand eller skador på ugnen.

VARNING! Felaktig användning av jordad elkontakt kan leda till elektrisk stöt.

Ledarna i nätsladden har nedanstående färger:

Grön och gul = JORDLEDARE

Blå = NEUTRAL

Brun = FASLEDARE

Radiostörningar

När mikrovågsugnen används kan störningar på radio, TV eller liknande utrustning uppstå. Störningarna kan minskas genom nedanstående åtgärder.

1. Rengör ugnens lucka och tätningssytor.
2. Flytta antennen för radio eller TV.
3. Flytta apparaten i förhållande till mottagaren.
4. Flytta apparaten bort från mottagaren.
5. Anslut apparaten till en annan krets än mottagaren.

Felsökning

Innan du kontaktar vårt servicecenter, kontrollera följande:

- Kontrollera att apparaten är korrekt ansluten. Om den inte är det drar du ut sladden, väntar 10 sekunder och sätter i sladden igen.
- Kontrollera att inga säkringar eller brytare löst ut. Om de fungerar kan du kontrollera eluttaget med en annan produkt.

- Kontrollera att manöverpanelen är korrekt programmerad och att timern är inställd.
- Kontrollera att luckan är stängd och att luckans säkerhetssystem inte är aktiverat. Om luckan inte är korrekt stängd kan mikrovågsfunktionen inte aktiveras.

OBS: Om inget av det ovanstående löser problemet, kontakta vårt servicecenter eller kvalificerad tekniker. Försök inte att justera eller reparera.

Tillagningstekniker

- Arrangera livsmedlet omsorgsfullt. Placera de tjockaste delarna längst ut på tallriken eller i kärlet.
- Kontrollera tillagningstiden. Välj den kortaste angivna tiden och öka den sedan om det behövs. Livsmedel som tillagas för länge kan börja ryka eller fatta eld.
- Täck livsmedlet under tillagning. På så sätt stänker det inte och tillagningen blir jämnare.
- Vänd livsmedlet under tillagningen för att minska tillagningstiden för exempelvis kyckling och hamburgare. Stora bitar, som stekar, måste vändas minst en gång.
- Arrangera om livsmedel som köttbullar efter halva tillagningstiden, från sidorna till mitten av kärlet och tvärt om.

Tillagningskärl

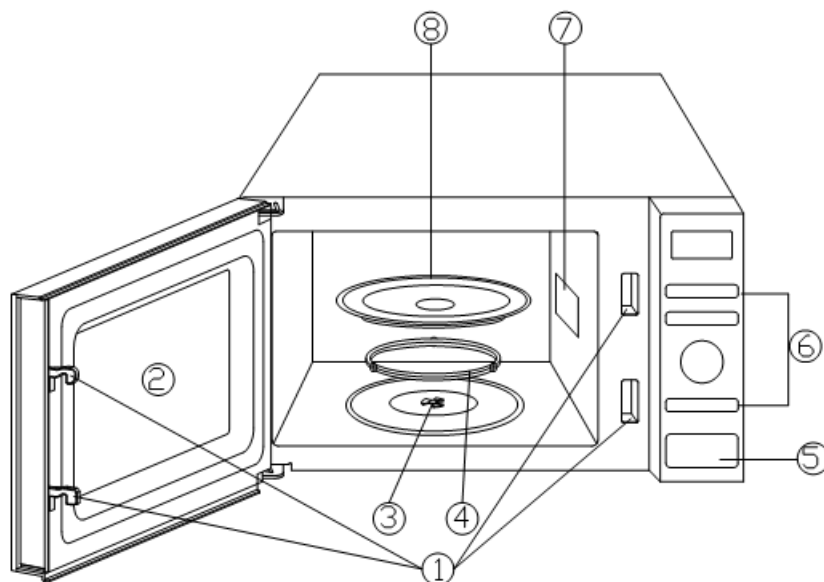
1. Mikrovågor kan inte passera genom metall. Använd därför endast kärl som är lämpliga för mikrovågsugnar. Metalkärl för livsmedel får inte användas under tillagning i mikrovågsugn. Detta gäller inte om tillverkaren specificerar storlek och form på metalkärl som är lämpliga för tillagning i mikrovågsugn.
2. Mikrovågor kan inte passera genom metall och därför ska inte metalkärl eller tallrikar med metallkant användas.
3. Använd inte kärl av återvunnet papper vid tillagning i mikrovågsugn, eftersom de kan innehålla små metallfragment som kan orsaka gnistor och brand.
4. Använd runda eller ovala fat istället för kvadratiska/rektangulära, eftersom maten i hörnen ofta blir överkokt.
5. Smala remsor av aluminiumfolie kan användas för att undvika överkokning i sådana områden. Använd inte för mycket folie och lämna cirka 2, 5 cm avstånd mellan folie och ugnsvägg.

Listan nedan är en generell guide som hjälper dig välja korrekt kärl.

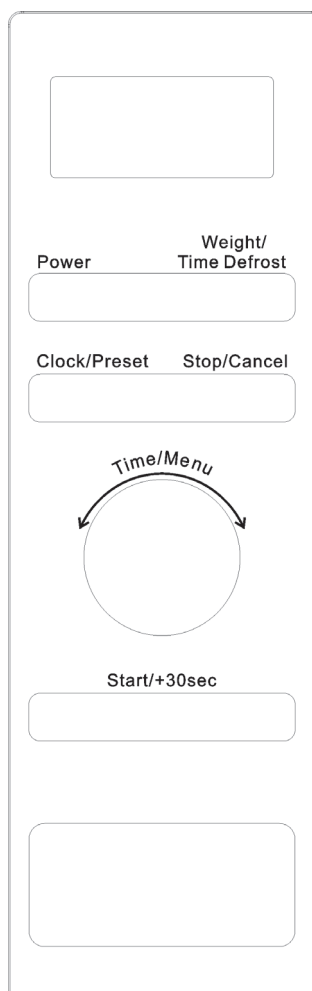
Tillagningskärl	Tillagning i mikrovågsugn
Värmetåligt glas	Ja
Ej värmetåligt glas	Nej
Värmetålig keramik	Ja
Plasttallrik avsedd för mikrovågsugn	Ja
Hushållspapper	Nej
Metallbricka	Nej
Metallställning	Nej
Aluminiumfolie & Folieformar	Nej

Produktöversikt

- | | |
|-------------------------------|---|
| 1. Säkerhetssystem för luckan | 6. Kontrollpanel |
| 2. Ugnsfönster | 7. Vågledare (avlägsna ej glimmerplattan över vågledaren) |
| 3. Axel | 8. Glasskiva |
| 4. Rotationsring | |
| 5. Knapp för lucköppning | |



Kontrollpanel



DISPLAY

- Tillagningstid, effektnivå, indikatorer och tid visas på displayen.

POWER

- Ställer in effektnivå. För att kontrollera effektnivån under tillagning, tryck på POWER-knappen.

WEIGHT/TIME DEFROST

- Ställer in upptining efter tid.
- Ställer in upptining efter vikt.
- Ställer in upptining efter livsmedel eller antal portioner.

CLOCK/PRESET

- Ställer in klockan.
- Programmerar ugnen att starta vid ett angivet klockslag.

STOP/CANCEL

- Tryck för att avbryta en inställning eller återställa ugnen innan inställning av tillagningsprogram.
- Tryck en gång för att pausa tillagningen eller två gånger för att avsluta tillagningen.
- Här ställer man även in barnlåset.


TIME/MENU

- Gå igenom alternativen för att mata in populära maträtter, tid och tillagningstid.

START/+30SEC

- Tryck för att börja tillagnings- eller upptiningsprogram.
- Tryck flera gånger för att ställa in tillagningstid och tillaga omgående på full effekt.

Bruksanvisning

- När ugnen ansluts för första gången, kommer det höras ett pip ljud och displayen visar , "1:01".
- Cirka 25 sekunder efter tillagning avslutats övergår ugnen i standby-läge.
- Under tillagning, tryck på STOP/CANCEL-knappen en gång för att pausa, tryck sedan START/+30SEC-knappen för att återuppta tillagningen. Tryck STOP/CANCEL-knappen två gånger för att avbryta programmet.
- Efter avslutad tillagning visas End i displayen tillsammans med ett pip ljud varannan minut tills STOP/CANCEL-knappen trycks eller luckan öppnas.

Inställning av klockan

Detta är en 12- eller 24-timmars klocka. Du kan välja mellan 12-timmars eller 24-timmars cykel genom att trycka på CLOCK/PRESET-knappen i standby-läge.

1. I standby-läge, tryck CLOCK/PRESET-knappen en eller två gånger för att välja 12-timmars eller 24-timmars klocka.
2. Vrid TIME/MENU tills korrekt timslag visas.
3. Tryck CLOCK/PRESET-knappen.
4. Vrid TIME/MENU tills korrekt minutslag visas.
5. Tryck CLOCK/PRESET för att bekräfta.

OBS: Under tillagning kan du kontrollera aktuell tid genom att trycka på CLOCK/PRESET.

Expresstillagning

Använd den här funktionen för att tillaga livsmedel på 100 % effekt. I standby-läge, tryck på START/+30SEC-knappen flera gånger för att ställa in tillagningstiden, ugnens startar omgående på full effekt. Den längsta tillagningstiden är 10 minuter.

Mikrovågstillagning

1. Tryck på POWER-knappen upprepade gånger för att välja effektnivå.
2. Vrid TIME/MENU medurs för att ställa in tillagningstid. Den längsta tillagningstiden är 95 min.
3. Tryck START/+30SEC-knappen på att bekräfta.

Välj effektnivå genom att trycka POWER-knappen:

OBS: Under tillagning kan du kontrollera aktuell tillagningseffekt genom att trycka på POWER-knappen

Tryck POWER-knappen	Tillagningseffekt (Display)
1 gång	100 % (100)
2 gånger	80 % (80)
3 gånger	60 % (60)
4 gånger	40 % (40)
5 gånger	20 % (20)
6 gånger	0 % (00)

Upptining baserat på vikt

Upptiningstiden och effektnivån ställs automatiskt in när vikten programmeras. Vikten kan vara från 100 g till 1800 g.

1. Tryck WEIGHT/TIME DEFROST-knappen en gång.
2. Vrid TIME/MENU medurs för att ställa in vikten på livsmedlet.
3. Tryck START/+30SEC-knappen för att bekräfta.

OBS: Under upptiningsprogrammet kommer systemet att pausa för att påminna om att vända på livsmedlet och sedan trycka START/+30SEC-knappen för att återuppta upptiningen.

Upptining baserat på tid

1. I standby-läge, tryck WEIGHT/TIME DEFROST-knappen två gånger.
2. Vrid TIME/MENU för att ange tillagningstid. Längsta tid är 95 minuter.
3. Tryck START/+30SEC-knappen för att bekräfta.

OBS: Under upptiningsprogrammet kommer systemet att pausa för att påminna om att vända på livsmedlet och sedan trycka START/+30SEC-knappen för att återuppta upptiningen.

Tillagning i flera steg

Din ugn kan programmeras till upp till 2 automatiska tillagningssekvenser. Antag att du vill ställa in följande tillagningsprogram:

Mikrovågstillagning - Mikrovågstillagning (på låg effekt)

1. Ställ in första steget i tillagningsprogrammet. Rör inte START/+30SEC-knappen.
2. Ställ in andra steget i tillagningsprogrammet.
3. Tryck START/+30SEC-knappen för att bekräfta.

OBS: Expressstillagning, upptining baserat på tid resp. vikt och autotillagnings-menyer kan inte ställas in som tillagning i flera steg.

SV

Preset

Den här funktionen programmerar ugnen att starta vid ett angivet klockslag.

1. Ställ in ett tillagningsprogram (förutom expresstillagning samt upptining baserat på tid och vikt).
2. Tryck på CLOCK/PRESET-knappen en gång.
3. Vrid TIME/MENU för att ställa in timslaget.
4. Tryck CLOCK/PRESET-knappen.
5. Vrid TIME/MENU för att ställa in minutslaget.
6. Tryck CLOCK/PRESET-knappen.

OBS: Du kan kontrollera den förinställda tiden under tillagning genom att trycka på CLOCK /PRESET-knappen en gång. Nedräkningen visas i displayen i 5 sekunder. Tryck sedan på STOP/CANCEL-knappen inom 5 sekunder för att avbryta programmet.

Ställa in barnlåset

Barnlåset förhindrar att barn använder apparaten utan övervakning.

1. För att ställa in, i standby-läge, tryck och håll nere STOP/CANCEL i 3 sekunder tills ett pipjud hörs. Då slår ugnen på barnlåset och indikatorlampan tänds. I låst läge avaktiveras alla knappar.
2. För att avbryta, tryck oh håll nere STOP/CANCEL i 3 sekunder. Därefter hörs ett pipjud och indikatorlampan släcks.

Automeny

För livsmedel eller följande tillagningsläge, är det nödvändigt att programmera tid eller effekt. Det räcker att ange viken typ av livsmedel du vill tillaga samt vikt eller antal portioner på det livsmedel du tillagar.

1. I standby-läge, vrid TIME/MENU moturs för att välja automenyn.
2. Tryck WEIGHT/TIME DEFROST-knappen upprepade gånger för att ange livsmedelsvikten.
3. Tryck START/+30SEC-knappen för att bekräfta.

Meny för autoläge:

KOD	LIVSMEDEL	NOTERA
1	MJÖLK/KAFFE (200ml/kopp)	För mjölk, kaffe och potatis visas antalet portioner istället för vikt.
2	POTATIS (230g/portion)	Resultatet beror på flera saker, bland annat spänningsfluktuationer, livsmedlets form och storlek, personlig smak rörande tillagning samt hur du placerar livsmedlet i ugnen. Om du är missnöjd med resultatet kan du justera tillagningstiden.
3	AUTOMATISK UPPVÄRMNING(g)	
4	FISK(g)	
5	POPCORN (99g)	
6	PIZZA(g)	

1. Stäng av apparaten och dra ut sladden ur elkontakten före rengöring.
2. Håll insidan av ugnen ren. Torka av stänk och vätskor med en fuktig trasa. Om apparaten är mycket smutsig kan ett mildt rengöringsmedel användas. Undvik att använda spray eller starka rengöringsmedel som kan ge fläckar och strimmor eller matt yta på lucka
3. Rengör apparaten utvändigt med en fuktig trasa. Vatten får inte komma in i ventilationsöppningarna då det kan skada apparaten.
4. Torka ofta av luckans och fönstrets båda sidor, lucktätningarna och intilliggande delar med en fuktig trasa för att ta bort fläckar och stänk. Använd inte slipande rengöringsmedel.
5. Använd ej ångtvätt.
6. Kontrollpanelen får inte bli blöt. Rengör den med en fuktig trasa. Låt luckan vara öppen när kontrollpanelen rengörs, för att undvika att apparaten startas av misstag.
7. Torka av med en mjuk trasa om det bildas kondens på insidan eller kring kanten av luckan. Kondens kan bildas när apparaten används vid hög luftfuktighet. Detta är helt normalt.
8. Ta ut och rengör glasskivan vid behov. Rengör den i varmt såpvatten eller i diskmaskin.
9. Ringen och ugnens botten ska rengöras med jämna mellanrum så att ringen kan röra sig utan problem. Torka av ugnens botten med ett mildt rengöringsmedel. Ringen kan rengöras i mildt såpvatten eller i diskmaskin. Kontrollera att ringen sätts tillbaka på rätt sätt i ugnen efter rengöring.
10. Dålig lukt i ugnen tas bort med skalet och saften av en citron som blandas med 2,5 dl vatten i en mikrovågssäker skål. Kör skålen i mikrovågsgugnen i 5 minuter. Torka av apparaten noga med en mjuk trasa.
11. Kontakta vårt servicecenter när lampan i ugnen måste bytas ut.
12. Apparaten ska rengöras regelbundet och matrester ska tas bort. Om apparaten inte hålls ren kan ytorna brytas ned. Detta minskar produktens livslängd och kan orsaka skada och farliga situationer.
13. Kassera inte apparaten med hushållssoporna; den ska avfallshanteras i enlighet med gällande regler och förordningar.

Garanti

Champion Nordic garanterar att den här produkten är fri från tillverkningsdefekter vad gäller material och hantverk under 2 år i Sverige, Norge, Danmark och Finland. Garantin börjar löpa den dag då produkten köps eller levereras. Champion Nordic har ingen skyldighet att reparera eller ersätta produkter som inte åtföljs av ett giltigt inköpsbevis. Denna garanti gäller endast för produkter som köps och används för hemmabruk och omfattar inte skador som uppstår till följd av missbruk, misslyckande med att följa Champion Nordics instruktioner eller då produkten har modifierats eller utsatts för en ej godkänd reparation, felaktig emballering av ägaren, normalt slitage eller felhantering av ett transportföretag.

Korrekt avfallshantering

Denna symbol på produkten eller i instruktionerna betyder att den ska slängas separat från annat hushållsavfall när den inte fungerar längre. Inom EU finns separata återvinningssystem för avfall. Kontakta lokala myndigheter eller din återförsäljare för mer information.



 **CHAMPION**

Champion®
Makadamgatan 14 | 254 64 Helsingborg | Sweden
info@champion.se



FORBEHOLD FOR AT UNDGÅ MULIG EKSPONERING VED OVERDEVEN MIKROBØLGEENERGI

- DA
1. Forsøg ikke at betjene ovnen med døren åben, da en åben dør kan forårsage skadelig eksponering af mikrobølgeenergi. Det er vigtigt, at der ikke ændres på eller manipuleres med sikkerhedsafbrydelserne.
 2. Anbring ikke noget mellem ovnens front og døren, og lad ikke snavs eller rengøringsmiddel ophobes på tætningsfladerne.
 3. Brug ikke ovnen, hvis den er beskadiget. Det er meget vigtigt, at ovnens dør lukker tæt, og at der ikke er skader på denne.
 - a) Dør (inklusive led)
 - b) Hængsler og låse (brudt eller løsnet)
 - c) Dørforseglinger og tætningsflader.
 4. Ovnens bør ikke justeres eller repareres af andre end kvalificeret servicepersonale.

VIGTIGE SIKKERHEDSINSTRUKTIONER

Ved brug af elektrisk apparat skal grundlæggende sikkerhedsforanstaltninger følges, herunder følgende:

1. **ADVARSEL!** For at reducere risikoen for forbrændinger, elektrisk stød, brand, personskade eller udsættelse for overdreven mikrobølgeenergi.
2. Læs alle instruktioner inden du bruger apparatet, og gem dem til senere brug.
3. Brug kun dette apparat til den tilsigtede anvendelse som beskrevet i manualen. Brug ikke ætsende kemikalier eller dampe i dette apparat. Denne type ovn er specielt designet til at opvarme, koge eller tørre mad. Den er ikke beregnet til industriel brug eller laboratoriebrug.
4. Brug ikke ovnen, når den er tom.
5. Brug ikke dette apparat, hvis det har en beskadiget ledning eller stik, hvis det ikke fungerer korrekt, eller hvis det er beskadiget eller blevet tabt. Hvis ledningen er beskadiget, skal den udskiftes af fabrikanten eller dennes serviceagent eller en tilsvarende kvalificeret person for at undgå fare.
6. **ADVARSEL!** Børn bør kun bruge ovnen uden opsyn, når der er givet tilstrækkelige anvisninger, så barnet kan bruge ovnen på en sikker måde og forstår farerne ved ukorrekt brug.
7. For at mindske risikoen for brand i ovnrummet:
 - Når der opvarmes mad i plastik- eller papirbeholder, skal du tjekke ovnen regelmæssigt for antænding.
 - Fjern metal fra papir- eller plastposer, før du sætter posen i ovnen.
 - Hvis der observeres røg, skal du slukke for eller tage stikket ud af stikkontakten og holde døren lukket for at kvæle flammerne.
 - Brug ikke ovnen til opbevaring. Efterlad ikke papirprodukter, køkkenredskaber eller mad i ovnen, når den ikke er i brug.
 - Mikrobølgeovnen er beregnet til opvarmning af mad og drikkevarer. Tørring af tøj og opvarmning af varmepuder, tøfler, svampe, dampdug og lignende kan medføre risiko for skade, antænding eller brand.
8. **ADVARSEL!** Væske eller anden mad må ikke opvarmes i lukkede beholdere, da de kan eksplodere.
9. Mikrobølgeopvarmning af drikkevarer kan resultere i forsinket udbrudskogning; derfor skal man være opmærksom ved håndtering af emballagen.
10. Steg ikke mad i ovnen. Varm olie kan beskadige ovnens dele og endda forårsage forbrændinger.
11. Æg i deres skal og hele hårdkogte æg bør ikke opvarmes i mikrobølgeovne, da de kan eksplodere, selv efter at mikrobølgeopvarmning er afsluttet.

12. Prik hul i fødevarer med tunge skind, såsom kartofler, hele squash, æbler og kastanjer inden tilberedning.
13. Indholdet af sutteflasker og børneglas skal omrøres eller rystes, og temperaturen bør kontrolleres inden servering for at undgå forbrændinger.
14. Køkkenredskaber kan blive varme på grund af varme overført fra den opvarmede mad. Grydelapper kan være nødvendige for at håndtere redskaberne.
15. Køkkenredskaber skal kontrolleres for at sikre, at de er egnede til brug i mikrobølgeovnen.
16. **ADVARSEL!** Det er farligt for enhver anden end en uddannet person at udføre enhver service eller reparation, der indebærer fjernelse af ethvert dæksel, der beskytter mod eksponering af mikrobølgeenergi.
17. Dette apparat er ikke beregnet til brug af personer (herunder børn) med nedsat fysisk, sensorisk eller psykisk kapacitet eller manglende erfaring og viden, medmindre de har fået tilsyn eller instruktion vedrørende brugen af apparatet af en person, der er ansvarlig for deres sikkerhed.
18. Børn skal overvåges for at sikre, at de ikke leger med apparatet.
19. Denne mikrobølgeovn skal kun anvendes i fritstående tilstand.
20. **ADVARSEL!** Installer ikke ovnen over kogeplader eller andre varmeproducerende apparater. Ovnen kan beskadiges, og garantien vil være ugyldig.
21. Mikrobølgeovnen må ikke placeres i et skab.
22. Døren eller den ydre overflade kan være varm, når apparatet er i drift.
23. **ADVARSEL!** Tilgængelige dele kan blive varme under brug. Små børn bør holdes væk.
24. Under brug vil apparatet blive varmt. Undgå at trykke på varmeelementer inde i ovnen under madlavning.
25. Temperaturen på tilgængelige overflader kan være høj, når apparatet er i drift.
26. Apparatet bør ikke bruges af børn eller personer med nedsat fysisk, sensorisk eller mental kapacitet, eller manglende erfaring og viden, medmindre de har fået tilsyn eller instruktion.
27. **ADVARSEL!** Hvis døren eller dørtætning er beskadiget, må ovnen ikke betjenes, før den er blevet repareret af en kvalificeret person.
28. Vejledningen skal angive, at apparater ikke er beregnet til at blive betjent ved hjælp af en ekstern timer eller et separat fjernstyringssystem.
29. Mikrobølgeovn er kun til husholdningsbrug og ikke til kommercielt brug.
30. Fjern aldrig afstandsstyreenheden bagpå eller på siderne, da den sikrer en minimum-afstand fra væggen for luftcirkulation.
31. Fastgør drejebordet, før du flytter apparatet for at undgå skader.
32. **ADVARSEL!** Ingen andre end en specialist bør reparere eller vedligeholde apparatet, da dette er farligt på grund af fjernelse af dækslet, som beskytter mod mikrobølgestråling. Dette gælder også ved udskiftning af hovedledningen eller belysningen. I disse tilfælde bør apparatet sendes til vores servicecenter.
33. Mikrobølgeovnen er beregnet til optøning, madlavning og dampning af mad.
34. Brug handsker, hvis du fjerner opvarmet mad.
35. **ADVARSEL!** Damp vil forekomme ved åbning af låg eller indpakningspapir.
36. Børn må ikke lege med apparatet. Rengøring og brugervedligeholdelse skal ikke foretages af børn, medmindre de over 8 år og under opsyn.
37. Hvis der forekommer røg, skal du slukke for eller tage stikket ud af stikkontakten og holde døren lukket for at kvæle flammer.

Specifikationer

Produkt:	CHMW035	Ydre dimensioner:	262mm(H)×452mm(W)×330mm(D)
Strømforbrug:	230-240V/50Hz, 1200W(mikrovågor)	Ovnhulrummets mål:	198mm(H)×315mm(W)×297mm(D)
Output:	700W	Vægt:	Ca.10.8kg
Operationsfrekvens:	2450MHz		
Ovnkapacitet:	20L		

Installationsguide

- DA
1. Sørg for, at al emballage er fjernet fra dørens inderside.
 2. **ADVARSEL!** Kontroller ovnen for eventuelle skader, f.eks. forkert justeret eller beskadiget dør, tætninger og tætningsoverflader, ødelagte eller løse hængsler og låse, buler inde i ovnen eller på døren. Hvis der er skader, må du ikke bruge ovnen, og du skal kontakte kvalificeret servicepersonale.
 3. Denne mikrobølgeovn skal placeres på en flad, stabil overflade for at holde vægten samt det tungeste mad, der bliver tilberedt i ovnen.
 4. Placer ikke ovnen hvor der opstår varme, fugt eller høj luftfugtighed, eller nær brændbare materialer.
 5. For korrekt drift skal ovnen have tilstrækkelig luftstrøm. Tillad 20 cm plads over ovnen, 10 cm bagud og 5 cm på begge sider. Undgå at dække åbninger på apparatet. Fjern ikke fødderne.
 6. Brug ikke ovnen uden glasbakke, rullestøtte og aksel i deres rigtige positioner.
 7. Sørg for, at hovedledningen er ubeskadiget og ikke løber under ovnen eller over andre varme eller skarpe overflader.
 8. Stikket skal være let tilgængeligt, så det let kan tages ud af stikkontakten i nødstilfælde.
 9. Brug ikke ovnen udendørs.

Jordforbindelsesinstruktioner

Dette apparat skal være jordforbundet. Denne ovn er udstyret med en ledning med jordforbindelse med jordstik. Den skal være tilsluttet en vægoptager, som er korrekt installeret og jordforbundet. I tilfælde af elektrisk kortslutning reducerer jordforbindelse risikoen for elektrisk stød ved at sikre en flugtledning til den elektriske strøm. Det anbefales, at der laves et separat kredsløb, der kun betjener ovnen. Brug af højspænding er farlig og kan resultere i brand eller anden ulykke, der forårsager ovnskade.

ADVARSEL! Forkert brug af jordforbindelsen kan medføre risiko for elektrisk stød.

Ledningerne i dette kabel er farvet i overensstemmelse med følgende kode:

Grøn og Gul = JORD

Blå = NEUTRAL

Brun = LIVE

Radiointerferens

Brug af mikrobølgeovnen kan medføre forstyrrelse af din radio, tv eller lignende udstyr. Når der er forstyrrelser, kan det reduceres eller elimineres ved at foretage følgende foranstaltninger:

1. Rengøre dør og tætningsoverflade på ovnen.
2. Omdirigere modtagende antenne på radio eller fjernsyn.
3. Flyt mikrobølgeovnen i forhold til modtageren.
4. Flyt mikrobølgeovnen væk fra modtageren.
5. Sæt mikrobølgeovnen i en anden stikkontakt, så mikrobølgeovnen og modtageren er på forskellige kredsløb.

Fejlfinding

Før du beder om service, bør du kontrollere nedenstående:

- Kontroller, at ovnen er tilsluttet korrekt. Hvis ikke, skal du tage stikket ud af stikkontakten, vente 10 sekunder og sætte den i igen.
- Kontroller for en sprunget kredsløbssikring eller en afbrydelse ved hovedafbryderen. Hvis disse ser ud til at fungere korrekt, skal du teste stikkontakten med et andet apparat.

- Kontroller, at kontrolpanelet er programmeret korrekt, og at timeren er indstillet.
- Kontroller for at sikre, at døren er lukket forsvarligt, og at den samarbejder med dørlåsesystemet. Hvis døren ikke er lukket korrekt, vil mikrobølgeenergien ikke strømme indvendigt.

Bemærk: Hvis ingen af ovenstående retter op på situationen, skal du kontakte en kvalificeret tekniker. Forsøg ikke at justere eller reparere ovnen selv.

DA

Madlavningsteknikker

- Arranger mad omhyggeligt. Placer tykkeste områder ved tallerkenens kant.
- Se tilberedningstiden. Kog i den korteste tid angivet, og tilføj mere efter behov. Fødevarer, der er tilberedt for meget, kan ryge eller antænde.
- Dæk maden ved madlavning. Ved at dække maden til forhindres sprøjt, og maden tilberedes jævnt.
- Vend maden en gang i mikrobølgeovnen for hurtigere madlavning af fødevarer såsom kylling og hamburgere. Store genstande, der steges, skal vendes mindst en gang.
- Omarranger fødevarer som kødboller halvvejs gennem madlavning både fra top til bund og fra midten af tallerkenen til ydersiden.

Køkkenredskaber Guide

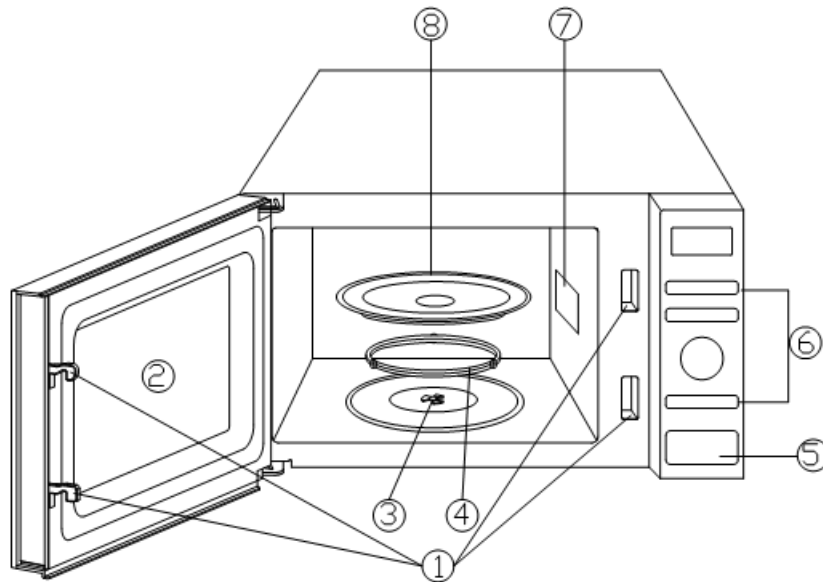
1. Mikrobølger kan ikke trænge ind i metal. Brug kun redskaber, der er egnet til brug i mikrobølgeovne. Metalliske beholdere til mad og drikkevarer må ikke bruges til mikrobølgeomadlavning. Dette krav gælder ikke, hvis fabrikanten angiver størrelse og form af metalbeholdere, der er egnet til mikrobølgetilberedning.
2. Mikrobølger kan ikke trænge ind i metal, så metalredskaber eller tallerkener med metallisk trim må ikke anvendes.
3. Brug ikke genbrugspapirprodukter ved mikrobølgetilberedning, da de kan indeholde små metalfragmenter, der kan forårsage gnister og/eller brand.
4. Brug runde/ovale tallerkener og skåle i stedet for firkantede/aflange, da mad i hjørner har tendens til at overkoge.
5. Smalle strimler af aluminiumfolie kan bruges til at forhindre overkogning af udsatte områder. Men pas på med at bruge for meget, og hold en afstand på 2,5 cm mellem folie og hulrum.

Listen nedenfor er en generel vejledning til at hjælpe dig med at vælge de rigtige redskaber.

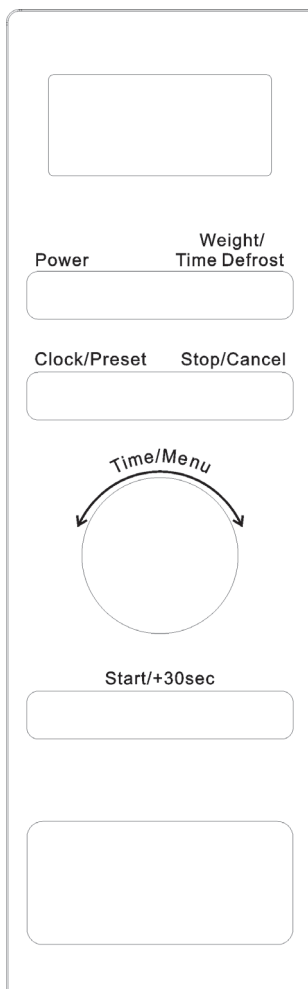
Redskaber	Mikrobølgetilberedning
Varmeresistent glas	Ja
Ikke-varmeresistent glas	Nej
Varmeresistent keramik	Ja
Mikrobølgesikker plastskål	Ja
Køkkenrulle	Ja
Metalbakke	Nej
Metalrist	Nej
Aluminiumfolie & foliebeholdere	Nej

Produktidiagram

- | | |
|---------------------------------|---|
| 1. Sikkerhedslåsesystem ved dør | 6. Kontrolpanel |
| 2. Ovnvindue | 7. Bølgeguide (Fjern ikke mica-pladen over bølgeguiden) |
| 3. Aksel | 8. Glasbakke |
| 4. Rullering | |
| 5. Døråbningsknop | |



Kontrolpanel



DISPLAY

- Tilberedningstid, strøm, indikatorer og klokkeslæt vises.

POWER

- Bruges til at indstille effektniveau. For at kontrollere strømniveauet under madlavning skal du trykke på POWER-knappen.

WEIGHT/TIME DEFROST

- Bruges til at indstille defrost-program.
- Bruges til at indstille defrost vægt-program.
- Bruges til at specificere madvægt eller antal portioner.

CLOCK/PRESET

- Bruges til at angive tid.
- Bruges til at indstille ovnen til senere start.

STOP/CANCEL

- Tryk for afbryde indstillinger eller nulstille ovnen før indstilling af tilberedningsprogram.
- Tryk en gang for midlertidigt stop eller to gange for at afbryde madlavning helt. Bruges også til at indstille børnelås.


TIME/MENU

- Drej for indstille menu og tilberedningstid.

START/+30SEC

- Tryk for at påbegynde tilberednings- eller optøningsprogrammer.
- Tryk flere gange for at indstille tilberedningstid og anvende på fuldt strømniveau.

Driftsvejledning

- Når ovnen er tilsluttet, vil du høre et bip og displayet vil vise  , "1:01".
- 25 sekunder efter endt tilberedningsproces vil ovnen gå i standby-mode.
- Hvis STOP/CANCEL trykkes en gang under tilberedning, pauses programmet, tryk på START/+30SEC-knappen for at starte igen. Trykkes STOP/CANCEL to gange afsluttes programmet helt.
- Efter tilberedning viser displayet End og giver en lyd hvert andet minut indtil der trykkes STOP/CANCEL, eller døren åbnes.

Indtilling af tiden

Dette er et 12- eller 24-timers ur. Du kan vælge at indstille tiden i 12- eller 24-timers-intervaller ved at trykke CLOCK/PRESET-knappen i standby mode.

1. I standby mode, tryk på CLOCK/PRESET en eller to gange for at vælge 12- eller 24-timers ur.
2. Drej TIME/MENU indtil den korrekte tid vises på displayet.
3. Tryk på CLOCK/PRESET-knappen.
4. Drej TIME/MENU indtil det korrekte minut vises på displayet.
5. Tryk på CLOCK/PRESET for at bekræfte.

BEMÆRK: Under tilberedning kan du tjekke tiden ved at trykke på CLOCK/PRESET.

Eksprestilberedning

Brug denne egenskab til at mikrobølge madvarer med 100% strøm. Når ovnen er i standby mode, trykkes START/+30SEC flere gange for at indstille tiden, ovnen starter med det samme med fuld strøm. Den længste tilberedelsestid er 10 minutter.

Mikrobølgetilberedning

1. Tryk på POWER-knappen for at vælge strøm-niveau.
2. Drej TIME/MENU med uret for at indstille tilberedningstid. Den længste tilberedningstid er 95 minutter.
3. Tryk på START/+30SEC-knappen for at bekræfte.

Vælg strømniveau ved at trykke på POWER-knappen:

BEMÆRK: Under tilberedning kan du tjekke strømniveauet ved at trykke på POWER-knappen.

Tryk på POWER-knappen	Tilberednings-strøm (Display)
1 gang	100% (100)
2 gange	80% (80)
3 gange	60% (60)
4 gange	40% (40)
5 gange	20% (20)
6 gange	0% (00)

Vægt Optøning

Optøningstid og strømniveau indstilles automatisk når madens vægt er indstillet. Den frosne mads vægt går fra 100g til 1800g.

1. Tryk på WEIGHT/TIME DEFROST-knappen 1 gang.
2. Drej TIME/MENU med uret for at vælge vægt eller mad.
3. Tryk på START/+30SEC-knappen for at bekræfte.

BEMÆRK: Under optøningsprogrammet pauser systemet for at minde brugeren om at vende maden. Tryk på START/+30SEC-knappen for at genoptage optøning.

Tid Optøning

1. I standby mode, tryk på WEIGHT/TIME DEFROST-knappen 2 gange.
2. Drej TIME/MENU for at indstille tilberedningstid. Den længste tilberedningstid er 95 minutter.
3. Tryk på START/+30SEC-knappen for at bekræfte.

BEMÆRK: Under optøning vil systemet pause og bippe for at minde brugeren om at vende maden, tryk START/+30SEC for at genoptage optøning.

Multi-tilberedning

Din ovn kan programmeres til op til 2 automatiske tilberedningssekvenser.

Antag, at du vil indstille det følgende program:

Mikrobølgetilberedning - Mikrobølgetilberedning (med lavt strømniveau)

1. Indstil det første tilberedningsprogram. Tryk ikke på START/+30SEC-knappen.
2. Indtil det andet tilberedningsprogram.
3. Tryk på START/+30SEC-knappen for at bekræfte.

BEMÆRK: Eksprestilberedning, optøningstid, optøningsvægt og auto-tilberednings-menuer kan ikke indstilles med multi-tilberedning.

DA

Preset

Denne funktion tillader ovnen at starte senere.

1. Indstil et tilberedningsprogram (dog ikke eksprestilberedning, optøningstid og optøningsvægt).
2. Tryk på CLOCK/PRESET 1 gang.
3. Drej TIME/MENU for at indstille tid i timer.
4. Tryk på CLOCK/PRESET.
5. Drej TIME/MENU for at indstille tid i minutter.
6. Tryk på CLOCK/PRESET.

BEMÆRK: Du kan tjekke den forudindstillede tid under tilberedning ved at trykke på CLOCK/PRESET-knappen 1 gang. Tidsnedtællingen kan ses på displayet i 5 sekunder, tryk herefter STOP/CANCEL indenfor 5 sekunder for at afbryde programmet.

Indstilling af børnelås

Børnelåsen forhindrer, at børn bruger mikrobølgeovnen uden tilladelse.

1. For at indstille i standby-mode holdes STOP/CANCEL inde i 3 sekunder. Herefter høres et bip, ovnen vil automatisk gå i børnelås-tilstand, og låse-indikatorlyset vil tændes. Når børnelåsen er indstillet, vil ingen knapper fungere.
2. For at afbryde holdes STOP/CANCEL inde i 3 sekunder. Herefter høres et bip, og indikatorlyset vil slukkes.

Auto-tilberedning

For mad eller følgende madlavningstilstande er det ikke nødvendigt at programmere varigheden og tilberedningseffekten. Det er tilstrækkeligt at angive den type mad, du ønsker at lave, samt vægten eller indholdet af denne mad

1. I standby-mode, drej TIME/MENU mod uret for at vælge auto-menu.
2. Tryk på WEIGHT/TIME DEFROST-knappen flere gange for at indikere madens vægt.
3. Tryk på START/+30SEC-knappen for at bekræfte.

Auto cook-menuer:

KODE	MAD	BEMÆRK
1	MÆLK/KAFFE (200ml/kop)	Ved MÆLK/KAFFE og KARTOFLER viser displayet antal portioner i stedet for vægt.
2	KARTOFLER (230g/del)	Resultatet af auto-tilberedning afhænger af faktorer som spændingsændring, form og størrelse af mad, din personlige præference med hensyn til gennemstegthed af bestemte fødevarer og hvordan du placerer mad i ovnen. Hvis du ikke finder resultatet tilfredsstillende, skal du justere tilberedningstiden en smule i overensstemmelse hermed.
3	AUTOOPVARMNING (g)	
4	FISK (g)	
5	POPCORN (99g)	
6	PIZZA (g)	

1. Sluk for ovnen, og tag stikket ud af væggen ved rengøring.
2. Hold ovnens inderside ren. Når mad sprøjter, eller spildte væsker klæber til ovnvægge, tørres der med en fugtig klud. Milde vaskemidler kan bruges, hvis ovnen bliver meget snavset. Undgå at bruge spray eller andre hårde rengøringsmidler. De kan plette, stribe eller ødelægge dørfladen.
3. Ydersiden af ovnen skal rengøres med en fugtig klud. For at forhindre beskadigelse af betjeningsdelene inde i ovnen må der ikke sive vand ind i ventilationsåbningerne.
4. Tør ofte døren og vinduet på begge sider, døræksler og tilhørende dele med en fugtig klud for at fjerne eventuel spild. Brug ikke slibemiddel.
5. Damprens må ikke anvendes.
6. Lad ikke kontrolpanelet blive vådt. Rengør med en blød, fugtig klud. Ved rengøring af betjeningspanelet skal ovndøren stå åben for at forhindre, at ovnen ved et uheld slås til.
7. Hvis damp ophobes indeni eller omkring ydersiden af ovndøren, skal du tørre med en blød klud. Dette kan forekomme, når mikrobølgeovnen betjenes under høj luftfugtighed. Dette er normalt.
8. Det er lejlighedsvis nødvendigt at fjerne glasbakken for rengøring. Vask bakken i varmt vand eller i en opvaskemaskine.
9. Rullering og ovngulv skal rengøres regelmæssigt for at undgå overdreven støj. Tør kun ovnens bundflade af med mildt rengøringsmiddel. Rulleringen kan vaskes i mildt sæbevand eller i opvaskemaskine. Når du fjerner rullen, skal du sørge for at indsætte den i den rigtige position.
10. Fjern lugt fra din ovn ved at kombinere en kop vand med saften og skal fra en citron i en mikrobølgeovnskål. Varm den i mikrobølgeovnen i 5 minutter. Tør grundigt med en blød klud.
11. Hvis lyspæren brænder ud, skal du kontakte kundeservice for at få den udskiftet.
12. Ovnens skal rengøres regelmæssigt, og eventuel mad skal fjernes. Manglende vedligeholdelse af ovnen kan føre til forringelse af overfladen, der kan påvirke enhedens levetid negativt og muligvis medføre en farlig situation.
13. Undlad at bortskaffe dette apparat i husholdningsaffaldet; det skal indleveres til kommunens afhændelsescenter.

Garanti

Champion Nordic garanterer at dette produkt ikke har nogen fremstillingsfejl i forhold til materiale og forarbejdning. Garantien gælder i to år i Sverige, Norge, Danmark og Finland. Garantien begynder fra den dag hvor produktet købes eller leveres. Champion Nordic er ikke forpligtet til at reparere eller erstatte produkter som ikke er ledsaget af et gyldigt købsbevis. Denne garanti gælder kun for produkter som er købt og brugt derhjemme, og den omfatter ikke skader som er opstået som følge af misbrug, manglende opmærksomhed på Champion Nordics instruktioner, modifikationer, ikke-godkendte reparationer, forkert indpakning fra ejerens side, normal slitage eller fejlhåndtering hos et transportfirma.

Korrekt affaldshåndtering

Dette symbol på produktet eller i instruktionerne betyder at det skal smides ud separat fra andet husaffald, når det ikke fungerer længere. I EU findes separate genbrugssystemer for affald. Kontakt de lokale myndigheder eller din sælger for mere information.



 **CHAMPION**

Champion ©
Makadamgatan 14 | 254 64 Helsingborg | Sweden
info@champion.se



FORHOLDSREGLER FOR Å UNNGÅ OVERDREVEN EKSPONERING FOR MIKROBØLGER

- NO
1. Ikke forsøk å bruke ovnen med døren åpen, da det kan resultere i skadelig eksponering for mikrobølger. Det er viktig å ikke ødelegge eller manipulere sikringslåsene.
 2. Ikke plasser objekter mellom ovnen og døren, eller la smuss og rester fra vaskemidler bygge seg opp på tetningsflatene.
 3. Ikke bruk ovnen hvis den er skadet. Det er veldig viktig at døren lukker seg ordentlig, og at det ikke er skader på
 - a) Døren (inkludert bulker),
 - b) Hengsler og låser (ødelagte eller løse),
 - c) Dørforseglinger og dørlister.
 4. Ovnen skal ikke justeres eller repareres av andre enn kvalifisert servicepersonale.

VIKTIGE SIKKERHETSINSTRUKSJONER

Ved bruk av elektriske apparater bør grunnleggende sikkerhetsforholdsregler følges, inkl. disse:

1. **ADVARSEL!** For å redusere risikoen for brannskader, elektrisk støt, brann, personskader og overdreven eksponering for mikrobølger.
2. Les alle instruksjoner før apparatet tas i bruk, og behold dem for fremtidig behov.
3. Bruk kun dette apparatet til formål som er beskrevet i denne manualen. Ikke bruk etsende kjemikalier eller damp i dette apparatet. Denne typen ovner er spesielt designet for å varme, tilberede eller tørke mat. Den er ikke designet for industriell bruk eller bruk på laboratorier.
4. Ikke bruk ovnen når den er tom.
5. Ikke bruk dette apparatet hvis ledning eller støpsel er skadet, hvis det ikke fungerer ordentlig, er skadet eller har falt i gulvet. Hvis strømledningen er skadet skal den erstattes av produsenten, serviceagenten eller lignende kvalifiserte personer for å unngå fare.
6. **ADVARSEL!** Barn bør kun bruke apparatet uten tilsyn dersom tilstrekkelige instruksjoner er gitt, slik at barnet kan bruke ovnen på en trygg måte og forstår farene ved feil bruk.
7. For å redusere risikoen for brann inne i ovnen:
 - Sjekk ovnen ofte for eventuell brannfare ved oppvarming av mat i plast- eller papirbeholdere.
 - Fjern lukkeklipps fra papir- og plastposer før de plasseres i ovnen.
 - Hvis røyk observeres, skru av apparatet eller trekk ut støpselet og la døren være lukket for å kvele eventuelle flammer.
 - Ikke bruk ovnen til oppbevaring. Ikke la papirprodukter, kjøkkenredskaper eller mat ligge inne i ovnen når den ikke er i bruk.
 - Mikrobølgeovnen er konstruert for å varme opp mat og drikke. Tørring av klær og oppvarming av varmeputer, tøfler, svamper, fuktige kluter og lignende kan medføre fare for skader, antenning og brann.
8. **ADVARSEL!** Væsker og annen mat må ikke varmes opp i lukkede beholdere da de kan eksplodere.
9. Oppvarming av drikke i mikrobølgeovnen kan føre til forsinket koking. Vær derfor forsiktig ved håndtering av beholderen.
10. Ikke stek mat i ovnen. Varm olje kan skade ovnens deler og redskaper, og føre til forbrenning av huden.
11. Egg med skall på og hele hardkokte egg bør ikke varmes i mikrobølgeovnen, da de kan eksplodere selv etter at oppvarmingen er ferdig.
12. Stikk hull i mat med tykt skinn, som poteter, hele squash, epler og kastanjer, før de tilberedes.

13. Innholdet i tåteflasker og babykopper bør røres i eller ristes, og temperaturen må sjekkes før servering for å unngå forbrenning.
14. Kjøkkenredskaper kan bli varme på grunn av varmen som overføres fra den oppvarmede maten. Det kan være nødvendig å bruke grytelapper.
15. Kontroller om kjøkkenredskapene egner seg til bruk i mikrobølgeovn.
16. **ADVARSEL!** Det er farlig for alle andre enn opplærte personer å utføre service eller reparasjoner som involverer å fjerne enhver del som beskytter mot eksponering for mikrobølger.
17. Dette apparatet er ikke tiltenkt bruk av personer (inkludert barn) med reduserte fysiske, sensoriske eller mentale evner, eller manglende erfaring og kunnskap, med mindre de får tilsyn og instruksjoner vedrørende bruk av apparatet av en person ansvarlig for deres sikkerhet.
18. Barn bør holdes under oppsyn så de ikke leker med apparatet.
19. Denne mikrobølgeovnen skal kun brukes frittstående.
20. **ADVARSEL!** Ikke installer ovnen over en kokeplate eller annet varmeproduserende apparat. Da kan apparatet bli skadet, og garantien vil være ugyldig.
21. Mikrobølgeovnen skal ikke plasseres i et skap.
22. Døren kan bli varm på utsiden når apparatet er i bruk.
23. **ADVARSEL!** Delene kan bli varme når apparatet er i bruk. Bør holdes utenfor rekkevidde av små barn.
24. Apparatet blir varmt når det er i bruk. Vær forsiktig og ikke ta på varme elementer inne i ovnen.
25. Temperaturen på overflater kan bli høy når apparatet er i bruk.
26. Apparatet skal ikke brukes av barn eller personer med reduserte fysiske, sensoriske eller mentale evner, eller manglende erfaring og kunnskap, med mindre de får tilsyn og instruksjoner.
27. **Advarsel!** Hvis døren eller låsmekanismen er ødelagt, skal ovnen ikke brukes før den har blitt reparert av en kompetent person.
28. I henhold til instruksjonene skal apparatet ikke brukes med en ekstern timer eller et separat fjernkontrollsystem.
29. Mikrobølgeovnen er kun for bruk i husholdninger, ikke for kommersiell bruk.
30. Fjern aldri avstandsenhetene bak eller på siden av apparatet, da de sørger for at minimumsavstanden til veggen for tilfredsstillende luftsirkulasjon overholdes.
31. Sikre det roterende brettet før du flytter apparatet for å unngå skader.
32. **ADVARSEL!** Det er farlig for andre enn en spesialist å reparere eller vedlikeholde apparatet, fordi beskyttelsen for mikrobølger ofte må fjernes i disse tilfellene. Det gjelder også utskiftning av strømledning og lys. Send apparatet til servicesenteret i disse tilfellene.
33. Mikrobølgeovnen er kun ment for å tine, tilberede og dampe mat.
34. Bruk gryteovtter når du fjerner oppvarmet mat.
35. Forsiktig! Det vil komme varm damp ut når du tar av lokk eller fjerner folie.
36. Barn må ikke leke med apparatet. Rengjøring og vedlikehold skal ikke utføres av barn med mindre de er over 8 år og får tilsyn.
37. Dersom det oppstår røyk, skru av eller trekk ut apparatet og la døren være stengt for å kvele eventuelle flammer.

Spesifikasjoner

Produkt:	CHMW035	Ytre dimensjoner:	262mm(H)×452mm(W)×330mm(D)
Strømforbruk:	230-240V/50Hz, 1200W(microwave)	Dimensjoner innside ovn:	198mm(H)×315mm(W)×297mm(D)
Effekt:	700W	Nettovekt:	Approx.10.8kg
Operasjonsfrekvens:	2450MHz		
Ovnens kapasitet:	20L		

Installasjonsguide

- NO
1. Sørg for at alt av emballasjemateriale er fjernet fra innsiden av døren.
 2. **ADVARSEL!** Kontroller ovnen for skader, som skeiv eller bøyd dør, skader på låsmekanisme og tetningsflater, ødelagte eller løse dørhengslar og låser og bulker på innsiden av ovnen eller døren. Ikke bruk ovnen hvis det er skader, kontakt kvalifisert servicepersonale.
 3. Mikrobølgeovnen må plasseres på en flat, stabil overflate som tåler vekten av ovnen og den tyngste maten man skal tilberede i ovnen.
 4. Ikke plasser ovnen i nærheten av varme, væske eller høy fuktighet, eller i nærheten av brennbare materialer.
 5. Ovnen må ha tilfredsstillende luftsirkulasjon for korrekt bruk. La det være 20 cm med luft over ovnen, 10 cm på baksiden og 5 cm på begge sider. Ikke dekk til eller blokker noen av apparatets åpninger. Ikke ta av «føttene».
 6. Ikke bruk ovnen uten at glassfatet, den rullende støtten og akselen sitter riktig på plass.
 7. Sørg for at strømledningen ikke er skadet, og ikke ligger under ovnen eller over noen varme eller skarpe overflater.
 8. Stikkontakten må være lett tilgjengelig så den enkelt kan trekkes ut i en nødsituasjon.
 9. Ikke bruk ovnen utendørs.

instruksjoner for jording

Dette apparatet må jordes. Ovnen er utstyrt med en kabel med jordet ledning og jordet støpselet. Den må plugges inn i et vegguttak som er korrekt installert og jordet. Om det skulle oppstå elektrisk kortslutning, reduserer jording risikoen for støt via en sikkerhetsledning som fører den elektriske strømmen unna. Det anbefales å bruke en separat krets som kun betjener ovnen. Bruk av høyspenning er farlig og kan resultere i brann eller andre ulykker og skader på ovnen.

ADVARSEL! Feil bruk av jordingstøpselet kan medføre risiko for elektrisk støt.

Ledningene i denne hovedkabelen er farget etter følgende kode:

Grønn og gul = JORD
Blå = NØYTRAL
Brun = LIVE/FASELEDER

Radiointerferens

Bruk av mikrobølgeovnen kan forårsake signalforstyrrelser på radio, TV eller lignende utstyr. Signalforstyrrelsene kan reduseres eller elimineres ved å følge disse stegene:

1. Rengjør ovnens dør og tetningsflater.
2. Still inn mottakerantennen på radioen eller TV-en på nytt.
3. Plasser mikrobølgeovnen et annet sted i forhold til mottakeren.
4. Flytt mikrobølgeovnen lenger unna mottakeren.
5. Plugg mikrobølgeovnen inn i en annen stikkontakt slik at mikrobølgeovnen og mottakeren er på forskjellige kretsløp.

Problemløsning

Prøv disse tiltakene før du ber om service:

- Kontroller at ovnen er pluggert ordentlig inn. Hvis ikke, fjern støpselet fra stikkontakten, vent 10 sekunder, og sett den ordentlig inn igjen.
- Sjekk om en sikring har gått eller hovedbryteren er slått av. Hvis disse ser ut til å fungere, test stikkontakten med et annet apparat.

- Sjekk om kontrollpanelet er stilt inn riktig og timeren er slått på.
- Kontroller at døren er ordentlig lukket, og at låsmekanismen er aktivert. Dersom døren ikke er ordentlig lukket vil ikke mikrobølgene sirkulere i ovnen.

Merk: Hvis ingen av disse tiltakene løser problemet, kontakt en kvalifisert tekniker. Ikke forsøk å justere eller reparere ovnen selv.

Tilberedningsmetoder

- Plasser maten nøyaktig. Plasser de tykkeste delene ytterst på tallerkenen.
- Følg med på tilberedningstiden. Bruk den korteste tiden som indikeres, og legg til mer om nødvendig. Mat som tilberedes for lenge kan ryke eller ta fyr.
- Dekk til maten mens den tilberedes. Tildekking forebygger spruting og hjelper maten å bli jevnt tilberedt.
- Snu maten én gang i løpet av tilberedningstiden for å forkorte tilberedningstiden til for eksempel kylling og hamburgere. Store matvarer som biff må snus minst én gang.
- Bytt plass på matvarer som kjøttboller halvveis i tilberedningstiden, både fra øverst til nederst, og fra midten av retten og ut til sidene.

Kjøkkenredskaper guide

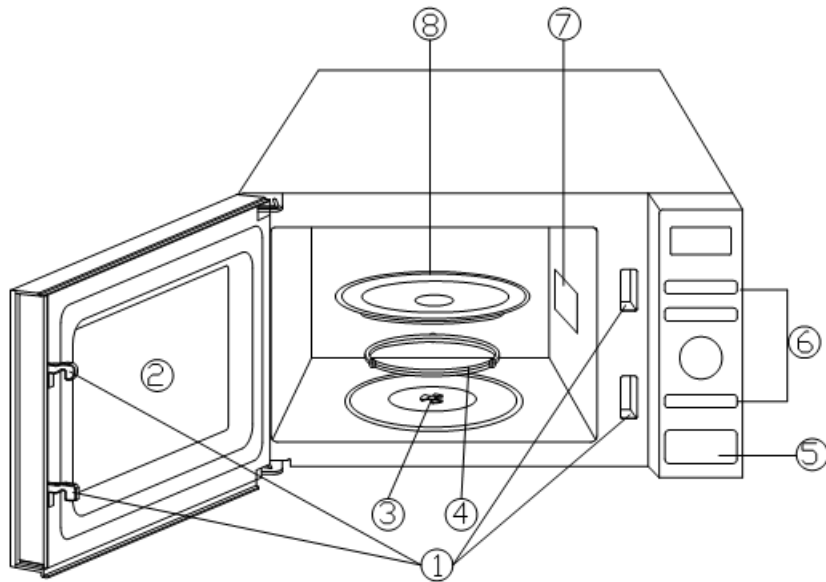
1. Mikrobølger kan ikke trenge gjennom metall. Bruk bare redskaper som egner seg for bruk i mikrobølgeovner. Metallbeholdere for mat og drikke er ikke tillatt ved tilberedning i mikrobølgeovn. Dette kravet gjelder ikke dersom produsenten spesifiserer størrelse og form på metallbeholdere som egner seg for bruk i mikrobølgeovn.
2. Mikrobølger kan ikke trenge gjennom metall, så metallredskaper eller tallerkener med metall rundt kanten bør ikke brukes.
3. Ikke bruk resirkulerte papirprodukter i mikrobølgeovnen, da de kan inneholde små metallbiter som kan forårsake gnister og/eller brann.
4. Det anbefales runde/ovale tallerkener i stedet for firkantede/avlange, ettersom maten i hjørnet har en tendens til å bli overkakt.
5. Smale striper med aluminiumsfolie kan brukes for å unngå overkoking i utsatte områder. Men ikke bruk for mye og hold en avstand på ca. 2,5 cm (1 inch) mellom folien og veggene i ovnen.

Listen under er en generell guide for å hjelpe deg å velge riktige redskaper.

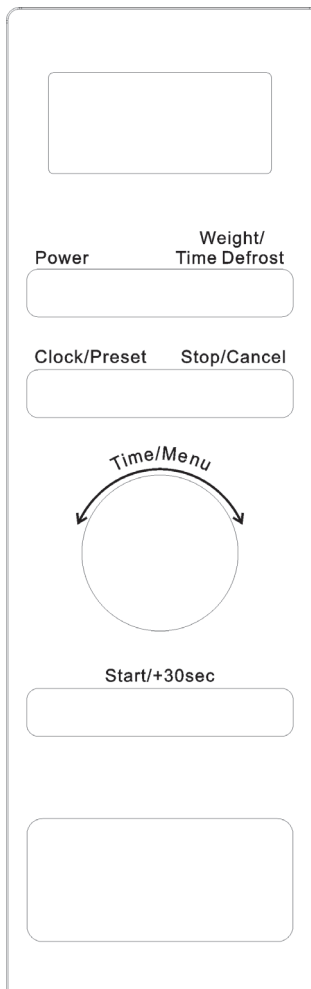
Redskaper	Tilberedning i mikrobølgeovn
Varmebestandig glass	Ja
Ikke-varmebestandig glass	Nei
Varmebestandig keramikk	Ja
Mikrobølgeovnsikker plasttallerken	Ja
Kjøkkenpapir	Ja
Metallfat	Nei
Metallrist	Nei
Aluminiumsfolie & Beholder med folie	Nei

Produkttdiagram

- | | |
|---------------------------------|---|
| 1. Sikkerhetslås-system for dør | 6. Kontrollpanel |
| 2. Ovnsvindu | 7. Bølgeguide (Vennligst ikke fjern mica-platen som dekker bølgeguiden) |
| 3. Aksel | 8. Glassbrett |
| 4. Rullende ring | |
| 5. Døråpnerknapp | |



Kontrollpanel



DISPLAY

- Tilberedningstid, strøm, indikatorer og klokkeslett vises.

POWER

- Brukes for å stille inn effekt. Trykk på POWER for å sjekke effekten mens maten tilberedes.

WEIGHT/TIME DEFROST

- Brukes for å stille inn tid i opptiningsprogrammet.
- Brukes for å stille inn vekt i opptiningsprogrammet.
- Brukes for å spesifisere matens vekt og antall porsjoner.

CLOCK/PRESET

- Brukes for å stille inn klokken.
- Brukes for å stille inn ovnen til å starte senere.

STOP/CANCEL

- Trykk for å avbryte en innstilling eller nullstille ovnen før du velger et program.
- Trykk én gang for å midlertidig stoppe matlagingen, og to ganger for å avbryte helt.
- Brukes også for å sette på barnesikring.


TIME/MENU

- Vri på hjulet for å velge meny, klokkeslett, tilberedningstid.

START/+30SEC

- Trykk for å starte tilberednings- eller opptiningsprogram.
- Trykk flere ganger for å stille inn tiden, og start tilberedningen med en gang på full effekt.

Bruksanvisning

- Når ovnen plugges inn for første gang vil det komme en pipelyd og displayet vil vise  , "1:01".
- Ca. 25 sekunder etter at maten er tilberedt vil ovnen gå tilbake til standby.
- Hvis man trykker én gang på STOP/CANCEL under tilberedelsesprosessen vil programmet settes på pause. Trykk på START/+30SEC for å gjenoppta prosessen, eller to ganger på STOP/CANCEL for å avslutte programmet.
- Etter endt tilberedning vil displayet vise End og avgi en lyd hvert andre minutt til brukeren trykker på STOP/CANCEL eller åpner døren.

Innstilling av klokken

Klokken viser 12 eller 24 timer. Du kan velge å stille inn klokken på 12- eller 24-timers syklus ved å trykke på CLOCK/PRESET-knappen i standbymodus.

1. Trykk på CLOCK/PRESET én eller to ganger i standbymodus for å velge 12- eller 24-timers klokke.
2. Vri på TIME/MENU til den riktige timen vises.
3. Trykk på CLOCK/PRESET-knappen.
4. Vri på TIME/MENU til det riktige minuttet vises.
5. Trykk på CLOCK/PRESET for å bekrefte.

MERK: Du kan sjekke tiden mens du tilbereder maten ved å trykke på CLOCK/PRESET.

Ekspresstilberedning

Bruk denne funksjonen for å programmere ovnen til å tilberede mat med 100% effekt. Trykk på START/+30SEC flere ganger i standbymodus for å stille inn tilberedningstiden. Ovnen starter øyeblikkelig på full effekt. Maksimal tilberedningstid er 10 minutter.

Tilberedning med mikrobølger

1. Trykk flere ganger på POWER-knappen for å velge effekt.
2. Vri TIME/MENU i klokkeretning for å stille inn tilberedningstiden. Maksimal tilberedningstid er 95 minutter.
3. Trykk på START/+30SEC for å bekrefte.

Velg effekt ved å trykke på POWER-knappen:

MERK: Mens maten tilberedes kan du sjekke effekten ved å trykke på POWER.

Trykk POWER-knappen	Effekt (Display)
Én gang	100% (100)
To ganger	80% (80)
3 ganger	60% (60)
4 ganger	40% (40)
5 ganger	20% (20)
6 ganger	0% (00)

Opptining – vekt

Tid og effekt settes automatisk ved opptining når matens vekt er registrert. Vekten på frossen mat varierer fra 100g til 1800g.

1. Trykk på WEIGHT/TIME DEFROST-knappen én gang.
2. Vri TIME/MENU i klokkeretning for å registrere matens vekt.
3. Trykk på START/+30SEC for å bekrefte.

MERK: I løpet av opptiningen vil systemet settes på pause for å minne brukeren på å snu maten, trykk deretter på START/+30SEC for å gjenoppta tiningen.

Opptining – tid

1. I standbymodus, trykk på WEIGHT/TIME DEFROST-knappen to ganger.
2. Vri på TIME/MENU for å stille inn tilberedningstiden. Maksimal tid er 95 minutter.
3. Trykk på START/+30SEC-knappen for å bekrefte.

MERK: I løpet av opptiningen vil systemet settes på pause for å minne brukeren på å snu maten, trykk deretter på START/+30SEC for å gjenoppta tiningen.

Tilberedning i flere omganger

Ovnen kan programmeres for opptil 2 automatiske tilberedningssekvenser. Eksempel: Du ønsker å bruke følgende tilberedningsprogram:

Mikrobølgetilberedning - Mikrobølgetilberedning (med lav effekt)

1. Still inn det første tilberedningsprogrammet. Ikke trykk på START/+30SEC.
2. Still inn det andre tilberedningsprogrammet.
3. Trykk på START/+30SEC for å bekrefte.

MERK: Ekspresstilberedning, opptining – tid, opptining – vekt og automatisk tilberedning kan ikke velges i dette programmet.

NO

Preset

Med denne funksjonen starter ovnen på et senere tidspunkt.

1. Velg et program (utenom ekspresstilberedning, opptining – tid og opptining – vekt)
2. Trykk på CLOCK/PRESET én gang.
3. Vri på TIME/MENU for å stille inn timen.
4. Trykk på CLOCK/PRESET.
5. Vri på TIME/MENU for å stille inn minuttene.
6. Trykk på CLOCK/PRESET.

Merk: Du kan sjekke tiden under tilberedningen ved å trykke på CLOCK/PRESET én gang. Tidsnedtellingen vises i displayet i 5 sekunder. Trykk på STOP/CANCEL i løpet av 5 sekunder for å avbryte programmet.

Stille inn barnesikring

Barnesikringen forhindrer bruk av barn uten tilsyn.

1. For å stille inn når ovnen er i standbymodus, trykk og hold inne STOP/CANCEL i 3 sekunder. Du vil høre et pip, og ovnen setter automatisk på barnesikring og indikatorlyset lyser. I låst tilstand fungerer ingen av knappene.
2. For å avbryte, trykk og hold inne STOP/CANCEL i 3 sekunder. Du vil høre et pip, og indikatorlyset slukkes.

Automatisk tilberedning

For følgende mat og programmer er det ikke nødvendig å stille inn varigheten og effekten. Det er nok å indikere hva slags mat du vil tilberede, samt vekt og porsjoner.

1. I standby, vri TIME/MENU mot klokken for å velge auto-menu.
2. Trykk på WEIGHT/TIME DEFROST-knappen flere ganger for å registrere matens vekt.
3. Trykk på START/+30SEC-knappen for å bekrefte.

Auto cook menyer:

KODE	MAT	MERK
1	MELK/KAFFE (200ml/kopp)	For MELK/KAFFE og POTETER viser displayet antall porsjoner i stedet for vekt.
2	POTETER (230g/porsjon)	Resultatet etter automatisk tilberedning kommer an på faktorer som variasjoner i effekt, form og størrelse på maten, dine personlige preferanser og hvor ferdig maten er, og hvordan du plasserer maten i ovnen. Juster tilberedningstiden litt dersom resultatet ikke blir tilfredsstillende.
3	AUTO REHEAT(g)	
4	FISK(g)	
5	POPCORN (99g)	
6	PIZZA(g)	

Rengjøring og vedlikehold

1. Skru av ovnen og trekk ut ledningen før rengjøring.
2. Hold innsiden av ovnen ren. Når mat spruter eller væske renner over og fester seg til veggene, tørk over med en fuktig klut. Milde vaskemidler kan brukes hvis ovnen blir veldig skitten. Unngå spray og andre sterke rengjøringsmidler. De kan lage flekker, riper eller ødelegge døroverflaten.
3. Utsiden av ovnen bør rengjøres med en fuktig klut. For å unngå skader på delene inne i ovnen, bør ikke vann komme inn i ventilasjonsåpningene.
4. Tørk av døren og vinduet på begge sider, låsen og de tilknyttede delene jevnlig med en fuktig klut for å fjerne søl og sprut. Ikke bruk slipemidler.
5. Ikke bruk damprengjørere.
6. Sørg for at kontrollpanelet ikke blir vått. Rengjør med en myk, fuktig klut. Når kontrollpanelet rengjøres bør døren være åpen for å unngå at ovnen blir skrudd på ved et uhell.
7. Hvis det oppstår damp inne i eller rundt utsiden av ovnsdøren, tørk med en myk klut. Dette kan skje hvis mikrobølgeovnen brukes i omgivelser med høy fuktighet, og er helt normalt.
8. Det er nødvendig å ta ut glassbrettet for rengjøring med jevne mellomrom. Vask brettet i varmt såpevann eller i oppvaskmaskin.
9. Den rullende ringen og bunnen i ovnen bør rengjøres regelmessig for å unngå støv. Tørk av bunnen av ovnen med en mild såpe. Den rullende ringen kan vaskes i mildt såpevann, eller i oppvaskmaskin. Sørg for å sette den rullende ringen på plass igjen i rett posisjon.
10. Fjern lukt fra ovnen ved å blande inn saften og skallet fra en sitron i en mikrobølgeovnsikker kopp/skål med vann. Varm i mikrobølgeovnen i 5 minutter. Tørk nøye med en myk klut.
11. Hvis en lyspære går, ta kontakt med kundeservice for å bytte den.
12. Ovnen bør rengjøres regelmessig, og alle matrester bør fjernes. Dersom ovnen ikke holdes ren kan det føre til nedbryting av overflaten, som igjen kan påvirke levetiden og kan føre til potensielt farlige situasjoner.
13. Vennligst ikke kast dette apparatet i den vanlige søppelkassen. Den bør bringes til en godkjent gjenvinningsstasjon eller forhandler.

Garanti

Champion Nordic garanterer at dette produktet er fri for fabrikkasjonsfeil når det kommer til materialer og håndverk under 2 år i Sverige, Norge, Danmark og Finland. Garantien starter å løpe den dagen produktet kjøpes eller leveres. Champion Nordic har ikke plikt til å reparere eller erstatte produkter dersom et gyldig innkjøpsbevis ikke følger med. Denne garantien gjelder kun for produkter som kjøpes og brukes til hjemmebruk, og omfatter ikke skader som oppstår som følge av misbruk, svikt i å følge Champion Nordics instruksjoner på grunn av at produktet har blitt modifisert eller utsatt for en godkjent reparasjon, feilaktig pakking av eieren, normal slitasje eller feilhåndtering av et transportforetak.

Korrekt avfallshåndtering

Dette symbolet på produktet eller i instruksjonene betyr at det skal kastes separat fra annet husholdningsavfall når det ikke virker lenger. Det finnes leveringspunkter og gjenbruksstasjoner som skal håndtere denne typen avfall. Kontakt lokale myndigheter eller forhandler for mer informasjon.



 **CHAMPION**

Champion®
Makadamgatan 14 | 254 64 Helsingborg | Sweden
info@champion.se



VAROTOIMET MAHDOLLISEN LIALLISEN MIKROAALTOENERGIAN VÄLTTÄMISEKSI

- FI
1. Älä yritä käyttää tätä mikroaaltouunia, jos sen ovi on auki, koska avoin ovi voi aiheuttaa haitallista altistumista mikroaaltouunissa olevalle energialle. On tärkeää, että turvakytkimiä ei estetä tai häiritä käytön aikana.
 2. Älä aseta mitään esineitä uunin etupinnan ja oven väliin tai anna maaperän tai puhdistusaineen kerääntyä tiivistepintoihin.
 3. Älä käytä uunia, jos se on vaurioitunut. On erittäin tärkeää, että uunin luukku sulkeutuu kunnolla ja ettei vaurioita ole:
 - a) Ovessa (mukaan lukien mahdolliset vääntymät),
 - b) Saranoissa tai salvoissa (rikkoutuminen tai löystyminen)
 - c) Oven tiivisteissä ja tiivistyspinnoissa.
 4. Uunia ei saa säätää tai korjata kukaan muu kuin pätevä huoltohenkilöstö.

TÄRKEITÄ TURVALLISUUSOHJEITA

Sähkölaitteita käytettäessä on noudatettava perusteellisia turvatoimenpiteitä, mukaan lukien seuraavat:

1. **VAROITUS!** Palovammojen, sähköiskun, tulipalon, henkilövahinkojen tai liiallisen mikroaaltoenergialle altistumisen välttämiseksi:
2. Lue kaikki käyttöohjeet ennen laitteen käyttöä ja säilytä ne myöhempää käyttöä varten.
3. Käytä tätä laitetta vain siihen käyttötarkoitukseen kuin käyttöohjeessa on kuvattu. Älä käytä syövyttäviä kemikaaleja tai höyryjä tässä laitteessa. Tämäntyyppinen uuni on suunniteltu erityisesti ruoan lämmittämiseen, kypsentämiseen tai kuivaamiseen. Sitä ei ole suunniteltu teolliseen tai laboratoriokäyttöön.
4. Älä käytä uunia tyhjänä.
5. Älä käytä tätä laitetta, jos siinä on vaurioitunut johto tai pistoke, jos se ei toimi kunnolla tai jos se on vahingoittunut tai pudonnut. Jos virtajohto on vaurioitunut, valmistajan tai sen huoltoliikkeen tai vastaavan pätevän henkilön on vaihdettava se vaaran välttämiseksi.
6. **VAROITUS!** Anna lasten käyttää uunia ilman valvontaa vain, jos heille on annettu asianmukaiset ohjeet, jotta lapsi kykenee käyttämään uunia turvallisesti ja ymmärtää virheellisen käytön vaarat.
7. Tulipalon riskin vähentämiseksi uunin sisäpuolella:
 - Kun lämmität ruokaa muovi- tai paperipakkauksessa, tarkista uuni usein syttymisriskin vuoksi.
 - Poista paperi- tai muovipusseista pussinsulkimet ennen kuin asetat pussin uuniin.
 - Jos havaitset savua, kytke laite pois päältä tai irrota pistoke pistorasiasta ja pidä ovi suljettuna, jotta kaikki liekit tukahdutetaan.
 - Älä käytä mikroaaltouunia varastointiin. Älä jätä paperituotteita, ruoanlaittovälineitä tai ruokaa mikroon tai sen osiin, kun sitä ei käytetä.
 - Mikroaaltouuni on tarkoitettu ruoan ja juomien lämmittämiseen. Vaatteiden kuivaus ja lämpötyynyjen, tossujen, sienten, kostean liinan ja vastaavien lämmittäminen voi aiheuttaa loukkaantumisriskin, laitteen hajoamisen tai tulipalon.
8. **VAROITUS!** Nestettä tai muuta ruokaa ei saa lämmittää suljetuissa astioissa, koska ne voivat räjähtää.
9. Juomien lämmittäminen mikroaaltouunissa voi johtaa viivästyneeseen eruptiiviseen kiehumiseen; sen vuoksi kehotamme varovaisuuteen, kun käsitellään lämmitettyjä astioita.
10. Älä paista ruokaa uunissa. Kuuma öljy voi vahingoittaa uunin osia ja välineitä ja jopa aiheuttaa ihon palovammoja.
11. Kuorellisia munia ja kokonaisia kovaksi keitettyjä munia ei saa lämmittää mikroaaltouunissa, koska ne voivat räjähtää, vaikka mikroaaltouunin lämmitys on päättynyt.
12. Rei'itä tai puhko haarukalla tai vastaavalla ruoat, joissa on paksu kuori, kuten perunat, kokonaiset kesäkurpitsat, omenat ja kastanjat, ennen lämmittämistä.

13. Syöttöpullojen ja vauvanruokapurkkien sisältöä on sekoitettava tai ravistettava ja niiden lämpötila on tarkistettava ennen tarjoilua palovammojen välttämiseksi.
14. Ruoanlaittovälineet voivat kuumentua lämmitetyistä ruoista siirtyvän lämmön vuoksi. Suosittelemme tarvittaessa käyttämään käsittelemiseen patalappuja.
15. Astiat on tarkistettava sen varmistamiseksi, että ne sopivat käytettäväksi mikroaaltouunissa.
16. **VAROITUS!** Saattaa olla vaarallista, että joku muu kuin koulutettu henkilö suorittaa huolto- tai korjaustoimenpiteitä, jossa käsitellään tai poistetaan mikroaaltoenergialle altistumiselta suojaavaa kantta.
17. Tätä laitetta ei ole tarkoitettu sellaisten henkilöiden (mukaan lukien lapset) käyttöön, joilla on heikentynyt fyysinen, aistillinen tai henkinen kyky tai kokemuksen ja tiedon puute, elleivät he ole saaneet ohjeita ja opastusta laitteen käytössä.
18. Lapsia on valvottava, jotta he eivät leiki laitteella.
19. Tätä mikroaaltouunia tulee käyttää vain vapaasti seisovana.
20. **VAROITUS!** Älä asenna uunia keittotason tai toisen lämpöä tuottavan laitteen päälle. Jos se on asennettu, se voi vahingoittua ja takuu ei ole voimassa.
21. Mikroaaltouunia ei saa sijoittaa kaappiin.
22. Ovi tai sen ulkopinta voi kuumentua, kun laite on käynnissä.
23. **VAROITUS!** Käytävissä olevat osat voivat kuumentua käytön aikana. Pienet lapset on pidettävä poissa.
24. Käytön aikana laite kuumenee. On huolehdittava siitä, ettei uunin sisällä olevia kuumennuselementtejä paineta.
25. Käytössä olevien pintojen lämpötila voi olla korkea, kun laite toimii.
26. Laitetta eivät saa käyttää lapset tai henkilöt, joilla on heikentynyt fyysinen, aistillinen tai henkinen kyky tai kokemuksen ja tiedon puute, ellei heille ole annettu ohjeita tai heitä valvotaan.
27. **VAROITUS!** Jos ovi tai ovitiivisteet ovat vaurioituneet, uunia ei saa käyttää ennen kuin ne on korjattu siihen valtuutetun henkilön toimesta.
28. Ohjeissa on ilmoitettava, että laitteita ei ole tarkoitettu käytettäväksi ulkoisen ajastimen tai erillisen kauko-ohjausjärjestelmän avulla.
29. Mikroaaltouuni on tarkoitettu vain kotitalouskäyttöön eikä kaupalliseen käyttöön.
30. Älä koskaan poista etäisyyspidikettä takana tai sivuilla, sillä se takaa vähimmäisetäisyyden seinästä ilmankiertoa varten.
31. Kiinnitä kääntöpöytä ennen laitteen siirtämistä vaurioiden välttämiseksi.
32. **HUOMIO!** Laitteen korjaaminen tai huolto on vaarallista muulle kuin asiantuntijalle, koska näissä olosuhteissa mikroaaltosäteilyltä suojaava kansi on poistettava. Tämä koskee myös virtajohdon tai valaistuksen vaihtamista. Lähetä laite näissä tapauksissa palvelukeskukseen.
33. Mikroaaltouuni on tarkoitettu vain ruoan sulattamiseen ja lämmittämiseen, ruoanlaittoon ja höyrystämiseen.
34. Käytä käsineitä, jos poistat kuumennetun ruoan.
35. **HUOMIO!** Höyry poistuu, kun kannet tai suojakääre avataan.
36. Lapset eivät saa leikkiä laitteen kanssa. Lapset eivät saa puhdistaa ja huoltaa laitetta, elleivät he ole yli 8-vuotiaita ja heitä valvotaan.
37. Jos laite savuaa, sammuta tai irrota pistoke pistorasiasta ja pidä ovi suljettuna liekkien sammuttamiseksi.

Tekniset tiedot

Toute:	CHMW035	Ulkoiset mitat:	262mm(H)×452mm(W)×330mm(D)
Energiankulutus:	230-240V/50Hz, 1200W(microwave)	Sisätilan mitat:	198mm(H)×315mm(W)×297mm(D)
Teho:	700W	Paino:	Approx.10.8kg
Käyttötaajuus:	2450MHz		
Uunin tilavuus:	20L		

Asennusohjeet

1. Tarkista, että kaikki pakkausmateriaalit poistetaan oven sisäpuolelta.
2. **VAROITUS!** Tarkista, ettei uunissa ole mitään vaurioita, kuten väärin asennettu tai taivutettu ovi, vaurioituneet ovitiivisteet ja tiivistuspinta, rikkoutuneet tai löysät ovien saranat ja salvat ja kolot sisätiloissa tai ovesa. Jos huomaat vaurioita laitteessa, älä käytä uunia ja ota yhteyttä pätevään huoltohenkilökuntaan.
3. Tämä mikroaaltouuni on sijoitettava tasaiselle, vakaalle alustalle, joka kestää uunin ja uunissa valmistettavan painavimman ruoan painoa.
4. Älä sijoita uunia paikkaan, jossa muodostuu lämpöä tai kosteutta tai lähelle helposti syttyviä materiaaleja.
5. Oikean toiminnan varmistamiseksi uunissa on oltava riittävä ilmavirta. Varmista, että uunin yläpuolella on 20 cm tila, 10 cm takana ja 5 cm molemmilla puolilla. Älä peitä tai sulje laitteen aukkoja. Älä poista jalkoja.
6. Älä käytä uunia ilman lasitarjotinta, rullatukea ja akselia ilman, että ne ovat oikeassa asennossa.
7. Varmista, että virtajohto on ehjä ja että se ei kulje uunin alla tai ole kosketuksessa kuumaan tai terävään pintaan.
8. Pistorasian on oltava helposti saatavilla, jotta uuni voidaan irrottaa helposti ja nopeasti hätätilanteessa.
9. Älä käytä uunia ulkona.

Maadoitusohjeet

Tämä laite on maadoitettava. Tämä uuni on varustettu johdolla, jossa on maadoitusjohdin ja jossa on maadoitusliitin. Se on kytkettävä oikein asennettuun ja maadoitettuun seinäliittimeen. Sähköisen oikosulun sattuessa maadoitus vähentää sähköiskun riskiä tarjoamalla sähkövirralle poistokaapelin. On suositeltavaa käyttää erillistä virtapiiriä, joka palvelee vain uunia. Korkean jännitteen käyttö on vaarallista ja voi aiheuttaa tulipalon tai muun onnettomuuden, joka aiheuttaa vaurioita uuniin.

VAROITUS! Maadoituspistokkeen virheellinen käyttö voi aiheuttaa sähköiskun vaaran.

Tämän kaapelin johdot on merkitty seuraavilla värikoodeilla:

Vihreä ja keltainen = MAA

Sininen = NEUTRAALI

Ruskea = SUORA

Radiotaajuushäiriöt

Mikroaaltouunin käyttö voi aiheuttaa häiriöitä radiossa, televisiossa tai vastaavissa laitteissa. Jos häiriöitä esiintyy, sitä voidaan vähentää tai poistaa seuraavien toimenpiteiden avulla:

1. Puhdista uunin ovi ja tiivistepinta.
2. Suuntaa radion tai television vastaanottoantenni toiseen suuntaan.
3. Siirrä mikroaaltouunia vastaanottimeen nähden.
4. Siirrä mikroaaltouuni pois vastaanottimen lähetyviltä.
5. Liitä mikroaaltouuni toiseen pistorasiaan niin, että mikroaaltouuni ja vastaanotin ovat eri sähköpiirissä

Vianmääritys

Ennen huoltoa tarkista seuraavat asiat:

- Tarkista, että uuni on kytketty kunnolla. Jos näin ei ole, irrota pistoke pistorasiasta, odota 10 sekuntia ja kytke se uudelleen kunnolla.

- Tarkista, että uuni on kytketty kunnolla. Jos näin ei ole, irrota pistoke pistorasiasta, odota 10 sekuntia ja kytke se uudelleen kunnolla.
- Tarkista, onko sulake palanut tai päävirtakatkaisin pois päältä. Jos ne näyttävät toimivan oikein, kokeile pistorasiaa toisella laitteella
- Tarkista, että ohjauspaneeli on ohjelmoitu oikein ja ajastin on asetettu.
- Tarkista, että ovi on kunnolla kiinni, ja lukitse ovi. Jos ovi ei ole kunnolla suljettu, mikroaaltenergia ei virtaa laitteen sisällä.

Huomautus: Jos mikään edellä mainituista ei korjaa tilannetta, ota yhteyttä pätevään teknikkoon. Älä yritä säätää tai korjata uunia itse.

Ruoanvalmistustekniikat

- Järjestä ruoka huolellisesti. Aseta paksuimmat alueet annoksen ulkoreunoille.
- Seuraa kypsennysaikaa. Kypsennä mahdollisimman vähän aikaa ja lisää tarpeen mukaan. Ylikypsennetyt ruokat ja elintarvikkeet voivat palaa tai savuta.
- Peitä elintarvikkeet ruoanlaiton aikana. Kannot estävät roiskumisen ja auttavat kypsentämään ruoan tasaisesti.
- Käännä ruokaa mikroaaltouunissa valmistuksen aikana kerran niin, että valmistus nopeutuu, etenkin jos valmistat kanaa tai hampurilaisia. Suuret ruokat, kuten paistit, vaativat ainakin kerran kääntämistä.
- Uudelleenjärjestele ruoka, kuten lihapullat, valmistuksen puolesta välissä sekä ylhäältä alas että astian keskeltä reunoille.

Ruoanlaittovälineiden opas

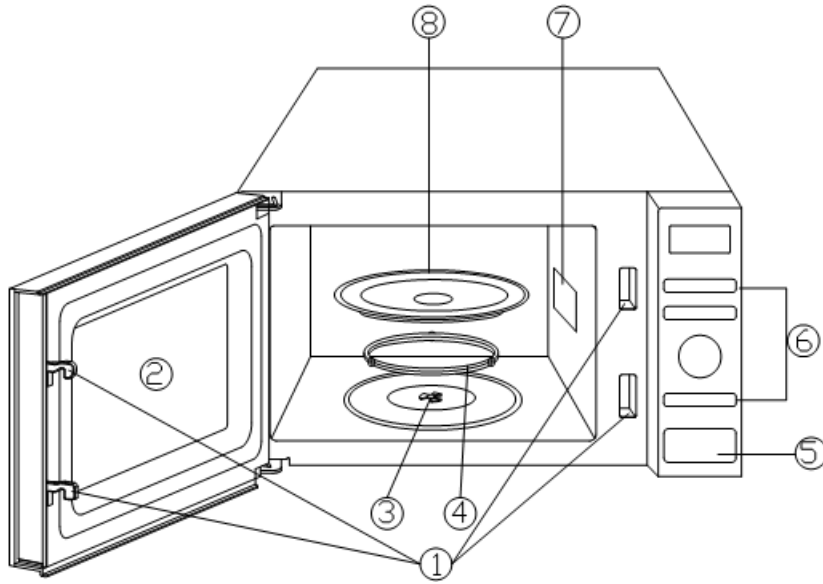
1. Mikroaaltouuni ei voi tunkeutua metalliin. Käytä vain astioita, jotka soveltuvat käytettäväksi mikroaaltouunissa. Ruokien ja juomien metallisäiliöt eivät ole sallittuja mikroaaltouunissa valmistuksen aikana. Tätä vaatimusta ei sovelleta, jos valmistaja määrittelee mikroaaltouuniin soveltuvien metallisten säiliöiden koon ja muodon.
2. Mikroaaltouuni ei pääse tunkeutumaan metalliin, joten metalliesineitä tai astioita, joissa on metallia, ei saa käyttää.
3. Älä käytä kierrätyspaperituotteita mikroaaltouunissa, koska ne voivat sisältää pieniä metallifragmentteja, jotka voivat aiheuttaa kipinöitä ja/tai tulipalon.
4. Lämmitä ruokia mieluummin pyöreissä/soikeissa muodoissa kuin neliönmuotoisissa/kulmikkaisissa, koska kulmat saattavat ylikypsyä.
5. Alumiinifolioista leikattuja kapeita suikaleita voidaan käyttää alttiina olevien kohtien ylikypsämisen estämiseksi. Älä kuitenkaan käytä liikaa ja säilytä 1 tuuman (2,54 cm) etäisyys folion ja mikron seinän välillä.

Alla oleva luettelo on yleisopas, jonka avulla osaat valita oikeat astiat.

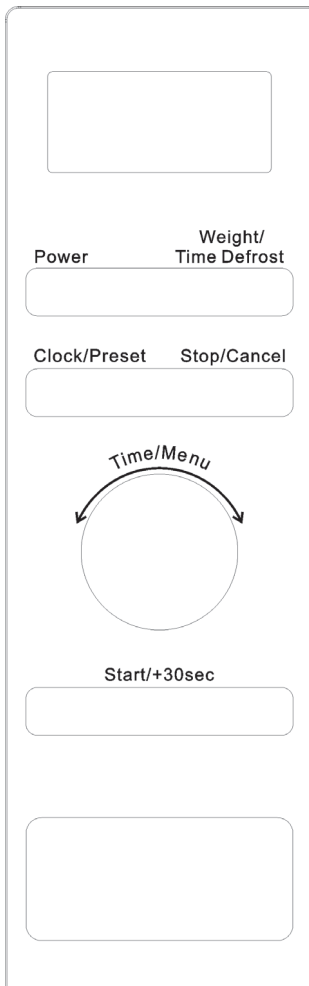
Keittoastia	Mikroaaltouuniin sopiva
Lämmönkestävä lasi	Kyllä
Ei-lämmönkestävä lasi	Ei
Lämmönkestävä keramiikka	Kyllä
Mikroaaltouuniturvallinen muoviasia	Kyllä
Talouspaperi	Kyllä
Metalliasia	Ei
Metalliritilä	Ei
Alumiinifolio ja folioastiat	Ei

Tuotekaavio

- | | |
|---------------------------------|--|
| 1. Oven turvalukitusjärjestelmä | 5. Oven vapautuspainike |
| 2. Unin Ikkuna | 6. Ohjauspaneeli |
| 3. Akseli | 7. Aalto-opas (älä poista aaltoputkea peittävää kiillelevyä) |
| 4. Rullarengas | 8. Lasitarjotin |



Control Panel



NÄYTTÖ

- Näytössä näkyvät kypsennysaika, teho, merkkivalot ja kellonaika.

POWER

- Käytetään tehotason asettamiseen. Jos haluat tarkistaa tehotason valmistuksen aikana, kosketa POWER-painiketta.

WEIGHT/TIME DEFROST

- Aseta aika sulatusohjelmalle.
- Määritä sulatusaika sulatettavan painon mukaan.
- Käytä elintarvikkeiden painoa tai annosten määrää ajan määrittämiseen.

CLOCK/PRESET

- Käytetään kellonajan asettamiseen.
- Käytä, jos haluat asettaa uunin käynnistymään myöhemmin.

STOP/CANCEL

- Peruuta asetus tai palauta uuni ennen valmistusohjelman asettamista.
- Pysäytä ruoanlaitto hetkellisesti painamalla kerran tai peruuta ruoanlaitto kokonaan painamalla kahdesti.
- Käytetään myös lapsilukon asettamiseen.


TIME/MENU

- Käytä valikkoa asettaaksesi ruokamenuun, kellonajan tai kypsennysajan kiertämällä valikkoa.

START/+ 30SEC

- Kosketa käynnistääksesi ruoanlaitto- tai sulatusohjelmat.
- Paina useita kertoja, kun haluat asettaa kypsennysajan, ja kypsennä välittömästi täydellä teholla.

Käyttöohjeet

- Kun uuni kytketään päälle, kuuluu siitä äänimerkki ja näytössä näkyy  "1:01".
- Ruoanvalmistusprosessissa kuluu noin 25 sekuntia, jonka jälkeen uuni palaa valmiustilaan.
- Jos painat STOP/CANCEL-painiketta kerran kypsennyksen aikana, ohjelma keskeytetään ja voit jatkaa ohjelmaa painamalla START/+30SEC-näppäintä. Jos STOP/CANCEL-painiketta painetaan kahdesti, ohjelma peruutetaan.
- Kun ruoanlaitto on päättynyt, näyttöön ilmestyy "End" ja kuuluu ääni, joka toistetaan kahden minuutin välein, kunnes käyttäjä painaa STOP/CANCEL-painiketta tai avaa oven.

Kellon asettaminen

Tämä on 12 tai 24 tunnin kello. Voit asettaa kellonajan 12 tai 24 tunnin jaksossa painamalla CLOCK/PRESET-painiketta valmiustilassa.

1. Paina valmiustilassa CLOCK/PRESET kerran tai kahdesti valitaksesi 12 tai 24 tunnin kellon.
2. Käännä TIME/MENU-painiketta, kunnes oikea tunti tulee näyttöön.
3. Paina CLOCK/PRESET-painiketta.
4. Käännä TIME/MENU-painiketta, kunnes oikea minuutti tulee näkyviin.
5. Vahvasta painamalla CLOCK/PRESET.

HUOMAUTUS: Kypsennyksen aikana voit tarkistaa nykyisen kellonajan koskettamalla CLOCK/PRESET-painiketta.

Pikavalmistus

Tämän toiminnon avulla voit ohjelmoida mikroaaltouuniin 100 % teholle. Paina valmiustilassa START/+ 30SEC-painiketta useita kertoja asettaaksesi kypsennysajan, jolloin uuni käynnistyy välittömästi täydellä teholla. Pisin kypsennysaika on 10 minuuttia.

Ruoanvalmistus mikroaaltouunissa

1. Paina POWER-painiketta toistuvasti valitaksesi tehotason.
2. Käännä TIME/MENU myötöpäivään päästäksesi kypsennysaikaan. Pisin kypsennysaika on 95 minuuttia.
3. Vahvasta painamalla START/+30SEC-painiketta.

Valitse tehotaso painamalla POWER-painiketta:

Paina POWER-painiketta	Valmistusteho (näyttö)
kerran	100 % (100)
kaksi kertaa	80 % (80)
3 kertaa	60 % (60)
4 kertaa	40 % (40)
5 kertaa	20 % (20)
6 kertaa	0 % (00)

HUOMAUTUS: Kypsennyksen aikana voit tarkistaa nykyisen tehotason painamalla POWER-painiketta.

Sulatus painon perusteella

Sulatusaika ja tehotaso asetetaan automaattisesti, kun ruoan paino on ohjelmoitu. Jäädetyttyjen elintarvikkeiden paino vaihtelee välillä 100 g - 1800 g.

1. Paina painiketta WEIGHT/TIME DEFROST kerran.
2. Valitse TIME/MENU myötöpäivään valitaksesi ruoan painon.
3. Vahvasta painamalla START/+30SEC-painiketta.

HUOMAUTUS: Sulatusohjelman aikana järjestelmä pysäyttää ohjelman muistuttamaan käyttäjää kääntämään ruokaa. Jatka sitten sulatusta painamalla START/+30SEC-painiketta.

Ajastettu sulatus

1. Paina valmiustilassa WEIGHT/TIME DEFROST -painiketta kahdesti.
2. Käännä TIME/MENU-valikkoa siirtyäksesi kypsennysajaan. Pisin aika on 95 minuuttia.
3. Vahvasta painamalla START/+30SEC-painiketta.

HUOMAUTUS: Sulatusohjelman aikana järjestelmä keskeyttää ohjelman ja äänimerkki muistuttaa käyttäjää kääntämään ruokaa. Jatka sulatusta painamalla START/+30SEC-painiketta.

Monitasovalmistus

Uuni voidaan ohjelmoida enintään kahdelle automaattiselle keittosekvenssille. Oletetaan, että haluat asettaa seuraavan valmistusohjelman:

Mikroaaltouunissa valmistus - Mikroaaltouunissa valmistus (alhaisempi teho)

1. Aseta ensimmäisen vaiheen valmistusohjelma. Älä koske START/+30SEC-painikkeeseen.
2. Aseta toisen vaiheen valmistusohjelma.
3. Vahvista painamalla START/+30SEC-painiketta.

HUOMAUTUS: Pikavalmistuksen, ajastetun sulatuksen, sulatusta painon perusteella ja automaattisen kypsennyksen valikoita ei voi asettaa monitasovalmistuksen valikossa.

FI

Esiasetus

Tämä toiminto mahdollistaa uunin käynnistämisen myöhemmin.

1. Aseta valmistusohjelma (ei ohjelmat pikavalmistus, ajastettu sulatus tai sulatus painon perusteella).
2. Paina kerran CLOCK/PRESET -painiketta.
3. Käännä TIME/MENU asettaaksesi tunnit.
4. Paina painiketta CLOCK/PRESET.
5. Aseta minuutit kääntämällä TIME/MENU-painiketta.
6. Paina painiketta CLOCK/PRESET.

HUOMAUTUS: Voit tarkistaa esiasetetun ajan kypsennyksen aikana painamalla CLOCK/PRESET-painiketta kerran. Ajan laskenta näkyy näytössä 5 sekunnin ajan. Paina STOP/CANCEL-painiketta 5 sekunnin kuluessa ohjelman peruuttamiseksi.

Lapsilukon asettaminen

Lapsilukko estää lasten valvomattoman mikroaaltouunin käytön.

1. Kun haluat asettaa lapsilukon valmiustilassa, paina STOP/CANCEL-painiketta 3 sekunnin ajan, ja odota äänimerkkiä. Äänimerkin jälkeen uuni siirtyy automaattisesti lukitustilaan ja lukon merkkivalo syttyy. Lukitustilassa kaikki painikkeet ovat poissa käytöstä.
2. Peruuta painamalla STOP/CANCEL-painiketta 3 sekunnin ajan. Sitten kuuluu äänimerkki ja merkkivalo sammuu.

Automaattinen valmistus

Ruoanvalmistuksessa tai seuraavassa valmistustilassa ei ole tarpeen ohjelmoida kestoa ja valmistustehoa. Riittää, kun ilmoitat, millaista ruokaa haluat valmistaa, sekä sen painon tai osuuden valmistettavassa annoksessa.

1. Käännä valmiustilassa TIME/MENU-painiketta vastapäivään valitaksesi automaattisen valikon.
2. Paina WEIGHT/TIME DEFROST -painiketta toistuvasti ilmaisemaan ruoan painoa.
3. Vahvista painamalla START/+30SEC-painiketta.

Automaattisen valmistuksen valikot:

KOODI	RUOKA	MERKINNÄT
1	MAITO/KAHVI (MILK/COFFEE) (200ml/kuppi)	MAITO/KAHVI (MILK/COFFEE) ja PERUNAT (POTATOES): näytössä näkyy annosten lukumäärä painon sijaan.
2	PERUNAT (POTATOES) (230 g/osuus)	Automaattisen kypsennyksen tulos riippuu muun muassa jännitteen vaihtelusta, ruoan muodosta ja koosta, henkilökohtaisesta mieltymyksestä tiettyjen elintarvikkeiden osalta ja myös siitä, kuinka ruoka on asetettu uuniin. Jos tulos ei kuitenkaan ole aivan tyydyttävä, säädä kypsennysaikaa hieman.
3	AUTOMAATTINEN UUDELLEENLÄMMITYS(g)	
4	KALA (g)	
5	POPCORN (99 g)	
6	PITSA (g)	

1. Sammuta uuni ja irrota virtajohto pistorasiasta puhdistuksen ajaksi.
2. Pidä uunin sisäpuoli puhtaana. Kun ruokaa roiskuu tai siitä vuotaa nesteitä uunin seiniin, pyyhi se pois kostealla liinalla. Jos uuni on hyvin likainen, voidaan sen puhdistukseen käyttää mietoja pesuaineita. Vältä ruiskutettavan tai muiden kovien puhdistusaineiden käyttöä. Ne voivat värjätä pintaa tai tehdä siitä juovikkaan tai samean.
3. Uunin ulkopinta on puhdistettava kostealla liinalla. Uunin sisällä olevien käyttöosien vahingoittamisen estämiseksi vettä ei saa päästää sisään ilmanvaihtoaukoista.
4. Pyyhi ovi ja ikkuna molemmilta puolilta, oven tiivisteet ja viereiset osat usein kostealla liinalla, jotta kaikki roiskeet tai liat poistuvat. Älä käytä hankaavaa puhdistusainetta.
5. Höyrypuhdistinta ei saa käyttää.
6. Älä anna ohjauspaneelin kastua. Puhdista pehmeällä, kostealla liinalla. Kun puhdistat ohjauspaneelia, jätä uunin luukku auki, jotta uuni ei vahingossa käynnisty.
7. Jos höyry kerääntyy uunin oven ulkopuolelle, pyyhi se pehmeällä liinalla. Tämä voi tapahtua, kun mikroaaltouunia käytetään kosteissa olosuhteissa. Se on täysin normaalia.
8. Joskus on tarpeen poistaa lasitarjotin puhdistusta varten. Pese tarjotin lämpimässä vedessä tai astianpesukoneessa.
9. Rullarengas ja uunin alaosa tulee puhdistaa säännöllisesti liiallisen melun välttämiseksi. Pyyhi uunin pohjapinta miedolla pesuaineella. Rullarengas voidaan pestä miedossa saippuavedessä tai astianpesukoneessa. Kun irrotat rullanrengasta, tarkista, että se asennetaan takaisin oikeaan asentoon.
10. Poista hajut uunista yhdistämällä kupillinen vettä ja sitruunamehua ja sitruunan kuorta mikroaaltouunissa. Käytä mikroaaltouunissa 5 minuuttia. Pyyhi huolellisesti ja kuivaa pehmeällä liinalla.
11. Jos lamppu palaa, ota yhteyttä asiakaspalveluun lampun vaihtamiseksi.
12. Uuni on puhdistettava säännöllisesti, ja kaikki ruokajäämät on poistettava. Jos uunia ei pidetä puhtaana, se voi johtaa pinnan heikkenemiseen, mikä voi vaikuttaa haitallisesti laitteen käyttöikäen ja saattaa aiheuttaa vaarallisen tilanteen.
13. Älä hävitä laitetta kotitalousjätteen mukana; se olisi luovutettava kunnan tarjoamaan jätekeskukseen.

Takuu

Champion Nordic takaa, että tässä tuotteessa ei ole materiaaliin tai käsityöhön liittyviä valmistusvikoja. Takuu on voimassa 2 vuotta Ruotsissa, Norjassa, Tanskassa ja Suomessa. Takuu alkaa siitä hetkestä, kun tuote joko ostetaan tai toimitetaan. Champion Nordicilla ei ole velvollisuutta korjata tai korvata tuotetta, johon ei ole voimassa olevaa ostotodistusta. Tämä takuu on voimassa ainoastaan tuotteissa, jotka ostetaan kotikäyttöön ja joita käytetään kotona. Takuu ei kata vaurioita, jotka johtuvat tuotteen väärinkäytöstä, Champion Nordicin käyttöohjeiden noudattamatta jättämisestä, siitä että tuotetta on käsitelty tai korjattu ei-hyväksyttävällä tavalla, tuotteen omistajan virheellisistä pakkaustoimista tuotetta käsiteltäessä, normaalista kulumisesta tai kuljetusyrityksen suorittamista vääränlaisista käsittelytavoista.

Oikea hävittäminen

Tämä symboli tuotteessa tai ohjeissa tarkoittaa, että laite täytyy hävittää erillään muista talousjätteistä, kun se ei enää toimi. EU:n sisällä on jätteille erillisiä kierrätysjärjestelmiä. Lisätietojen saamiseksi ota yhteyttä paikallisiin viranomaisiin tai jälleenmyyjääsi.



 **CHAMPION**

Champion®
Makadamgatan 14 | 254 64 Helsingborg | Sweden
info@champion.se

